

## Description

Metal Oxide Varistor (MOV) as one nonlinear resistance element is mainly made of zinc oxide (ZnO), which has very high surge capacity and big nonlinear coefficient. Below the threshold voltage, its resistance is very high, nearly no current flows through, but above the threshold voltage, the resistance reduces sharply, huge current can be discharged. Due to this characteristic, varistor as a protection component in electronic and electrical equipment can absorb abnormal over-voltage and lightning surge.

SETsafe | SETfuse varistor is with High Surge Current Density, Low Clamping Voltage, and Good Surge Capacity. It can also be customized as required.

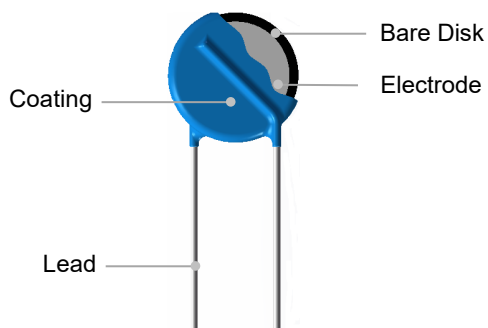
## Features

- Epoxy Resin Coating
- Silicone Resin Coating
- Low Leakage Current
- Bidirectional and Symmetrical V/I Characteristics
- RoHS & REACH Compliant

## Applications

- Power Supplies
- Home Electrical Appliances
- Industrial Devices
- Surge Protectors
- Telecom Devices

## Product Structure



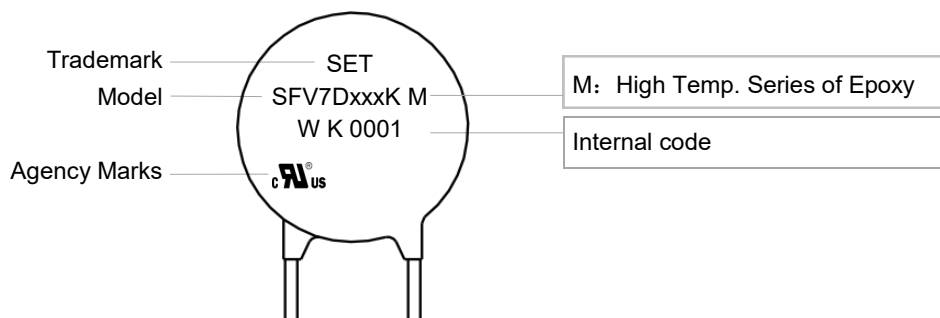
## Lead Types

Lead Types		Codes
	Straight Lead	A
	Inward Crimp Lead	B
	Outward Crimp Lead	C
	Inline Crimp Lead	D
	Little Straight Lead	I

## Agency Approvals

Agency	Standards	No.
	UL 1449 4 <sup>th</sup> Edition	E322662
	CSA C22.2 NO.269.5-17	E322662

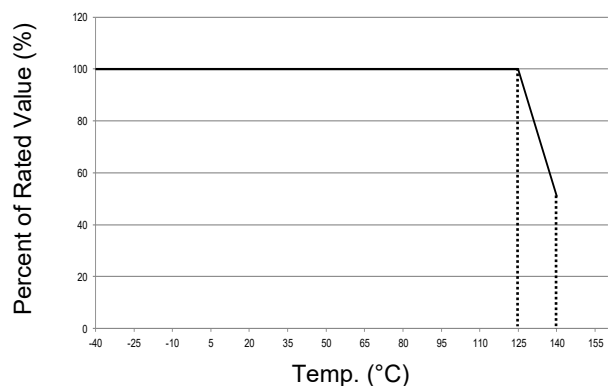
## Marking



MOV

MOV

## Temp. Derating Curve



**Note:**

For high temp. series, when ambient temp. exceeds 125 °C, the peak surge current and energy rating should be reduced as shown in the left curve.

For High Temp. Series Products

## General Technical Data

Item	Value	Unit
Operating Temperature	-40 to +125	°C
Storage Temperature	-40 to +150	°C
Voltage Proof	≥1000	V <sub>ac</sub>
Insulation Resistance	≥100	MΩ

**Part Numbering System**

SFV 07 D 471 - K M K A BUL - 001

MOV

MOV

**Other Options**

**\*Packaging & Lead Length**

BUL: Bulk + Standard Lead Length (Normal L28)  
 C35: Bulk + Cut to 3.5 mm  
 (Range:2.5 mm to 6 mm)  
 L30: Bulk + Special Lead Length 30 mm  
 (28 mm to 32 mm)  
 (0/1)AB: Taping + Box (Hole Pitch 12.7 mm)  
 (0/1)EB: Taping + Box (Hole Pitch 15.0 mm)  
 (0/1)AR: Taping + Reel (Hole Pitch 12.7 mm)  
 (0/1)ER: Taping + Reel (Hole Pitch 15.0 mm)  
 Note:0/1 Means Product Position  
 0: In Middle of Two Holes; 1: Across the Hole

**Lead Types**

A: Straight Lead  
 B: Inward Crimp Lead  
 C: Outward Crimp Lead  
 D: Inline Crimp Lead  
 I : Little Straight Lead

**Surge Level**

S: Normal Type  
 K: Standard Type

**Operating Temp.**

M: Epoxy Coating 125 °C

**Voltage Tolerance**

K: ±10%  
 J: ±5%  
 S: Special Tolerance

**Nominal Varistor Voltage**

220:  $22 \times 10^0 = 22 \text{ V}$   
 471:  $47 \times 10^1 = 470 \text{ V}$   
 122:  $12 \times 10^2 = 1200 \text{ V}$

**Disk Shape**

D: Round

**Bare Disk Dimension**

07: 7 mm

**Product Category**

SETfuse Varistor

\*For more details refer to packaging information.

## Glossary

Item	Description
$V_N$	<b>Nominal Varistor Voltage</b> Voltage, at specified D.C. current used as a reference point in the component characteristics.
$I_L$	<b>Leakage Current</b> Measuring at 75% of varistor voltage.
UCT	<b>Upper Category Temp.</b> Max. ambient temp. for which a varistor has been designed to operate continuously.
LCT	<b>Lower Category Temp.</b> Minimum ambient temp. at which a varistor has been designed to operate continuously.
<b>Max. Peak Current</b>	<b>Max. Peak Current</b> Max. current per pulse, which may be passed by a varistor at an ambient temp. of 25 °C, for a given number of pulses.
$V_C$	<b>Clamping Voltage</b> Peak voltage developed across the varistor terminations under standard atmospheric conditions, when passing an 8/20 $\mu$ s class current pulse.
<b>Voltage Proof</b>	<b>Voltage Proof</b> Max. peak voltage, which may be applied under continuous operating conditions between the varistor terminations and any conducting mounting surface (Applicable only to insulated varistors).
$C_V$	<b>Capacitance</b> Capacitance across the MOV measured at a specified frequency and voltage.
$V_{ac}$	<b>Max. Continuous a.c. Voltage</b> Max. a.c. r.m.s. voltage of a substantially sinusoidal waveform (less than 5% total harmonic distortion) which can be applied to the component under continuous operating conditions at 25 °C.
$V_{dc}$	<b>Max. Continuous d.c. Voltage</b> Max. d.c. voltage (with less than 5% ripple) which can be applied to the component under continuous operating conditions at an ambient temp. of 25 °C.

**Specification**

Model	Surge Level	Max. Continuous Operating Voltage		Varistor Voltage @1 mA DC		Clamping Voltage (Max.)		Max. Peak Current (1 time, 8/20 $\mu$ s)	Max. Energy (10/1000 $\mu$ s)	Typical Capacitance (For reference only) @1 kHz	Agency Approvals			
		Vac	Vdc	Min.	Max.	V <sub>c</sub>	I <sub>p</sub>				S	(pF)	UL	CUL
		(V)	(V)	(V)	(V)	(V)	(A)							
SFV7D820KM	S	50	65	74	90	135	10	1.25	5.5	600	●	●		
SFV7D101KM	S	60	85	90	110	165	10	1.25	6.5	500	●	●		
SFV7D121KM	S	75	100	108	132	200	10	1.25	7.8	420	●	●		
SFV7D151KM	S	95	125	135	165	250	10	1.25	9.7	330	●	●		
SFV7D181KM	S	115	150	162	198	300	10	1.25	11.7	280	●	●		
SFV7D201KM	S	130	170	180	220	340	10	1.25	13	250	●	●		
SFV7D221KM	S	140	180	198	242	360	10	1.25	14	230	●	●		
SFV7D241KM	S	150	200	216	264	395	10	1.25	15	210	●	●		
SFV7D271KM	S	175	225	243	297	455	10	1.25	18	185	●	●		
SFV7D301KM	S	190	250	270	330	500	10	1.25	20	165	●	●		
SFV7D331KM	S	210	275	297	363	550	10	1.25	23	150	●	●		
SFV7D361KM	S	230	300	324	396	595	10	1.25	25	140	●	●		
SFV7D391KM	S	250	320	351	429	650	10	1.25	25	130	●	●		
SFV7D431KM	S	275	350	387	473	710	10	1.25	28	115	●	●		
SFV7D471KM	S	300	385	423	517	775	10	1.25	30	105	●	●		
SFV7D511KM	S	320	415	459	561	845	10	1.25	30	100	●	●		
SFV7D561KM	S	350	460	504	616	925	10	1.25	30	90	●	●		
SFV7D621KM	S	385	505	558	682	1025	10	1.25	33	80	●	●		
SFV7D681KM	S	420	560	612	748	1120	10	1.25	33	75	●	●		
SFV7D751KM	S	460	615	675	825	1240	10	1.25	38	70	●	●		
SFV7D821KM	S	510	670	738	902	1355	10	1.25	42	65	●	●		

● : Approved      ○ : No application for certification

MOV

MOV

**Specification**

Model	Surge Level	Max. Continuous Operating Voltage		Varistor Voltage @1 mA DC		Clamping Voltage (Max.)		Max. Peak Current (1 time, 8/20 μs)	Max. Energy (10/1000 μs)	Typical Capacitance (For reference only) @1 kHz	Agency Approvals			
		Vac	Vdc	Min.	Max.	V <sub>C</sub>	I <sub>p</sub>				K	(pF)	UL	CUL
		(V)	(V)	(V)	(V)	(V)	(A)						(kA)	(J)
SFV7D820KM	K	50	65	74	90	135	10	1.75	7.0	600	●	●		
SFV7D101KM	K	60	85	90	110	165	10	1.75	8.5	500	●	●		
SFV7D121KM	K	75	100	108	132	200	10	1.75	10	420	●	●		
SFV7D151KM	K	95	125	135	165	250	10	1.75	13	330	●	●		
SFV7D181KM	K	115	150	162	198	300	10	1.75	15	280	●	●		
SFV7D201KM	K	130	170	180	220	340	10	1.75	17.5	250	●	●		
SFV7D221KM	K	140	180	198	242	360	10	1.75	19	230	●	●		
SFV7D241KM	K	150	200	216	264	395	10	1.75	21	210	●	●		
SFV7D271KM	K	175	225	243	297	455	10	1.75	24	185	●	●		
SFV7D301KM	K	190	250	270	330	500	10	1.75	26	165	●	●		
SFV7D331KM	K	210	275	297	363	550	10	1.75	28	150	●	●		
SFV7D361KM	K	230	300	324	396	595	10	1.75	32	140	●	●		
SFV7D391KM	K	250	320	351	429	650	10	1.75	35	130	●	●		
SFV7D431KM	K	275	350	387	473	710	10	1.75	40	115	●	●		
SFV7D471KM	K	300	385	423	517	775	10	1.75	42	105	●	●		
SFV7D511KM	K	320	415	459	561	845	10	1.75	45	100	●	●		
SFV7D561KM	K	350	460	504	616	925	10	1.75	49	90	●	●		
SFV7D621KM	K	385	505	558	682	1025	10	1.75	55	80	●	●		
SFV7D681KM	K	420	560	612	748	1120	10	1.75	60	75	●	●		
SFV7D751KM	K	460	615	675	825	1240	10	1.75	66	70	●	●		
SFV7D821KM	K	510	670	738	902	1355	10	1.75	71	65	●	●		

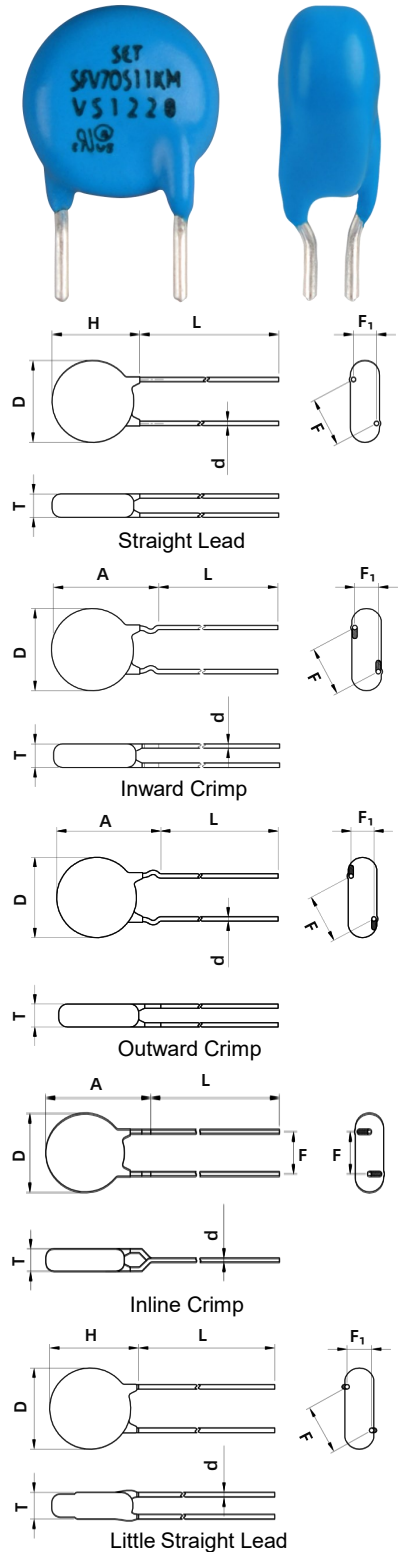
●: Approved      ○: No application for certification

MOV

MOV

**Dimensions (mm)**

Model	L (Min.)	H (Max.)	T (Max.)	D (Max.)	d	F	F <sub>1</sub>	A (Max.)
SFV7D820KM	20	12	4.0	9.0	0.60±0.05	5.0±0.6	1.1 - 2.4	12.5
SFV7D101KM	20	12	4.2	9.0	0.60±0.05	5.0±0.6	1.2 - 2.6	12.5
SFV7D121KM	20	12	4.4	9.0	0.60±0.05	5.0±0.6	1.3 - 2.8	12.5
SFV7D151KM	20	12	4.7	9.0	0.60±0.05	5.0±0.6	1.4 - 3.1	12.5
SFV7D181KM	20	12	4.0	9.0	0.60±0.05	5.0±0.6	1.1 - 2.5	12.5
SFV7D201KM	20	12	4.2	9.0	0.60±0.05	5.0±0.6	1.2 - 2.7	12.5
SFV7D221KM	20	12	4.3	9.0	0.60±0.05	5.0±0.6	1.3 - 2.8	12.5
SFV7D241KM	20	12	4.4	9.0	0.60±0.05	5.0±0.6	1.3 - 2.9	12.5
SFV7D271KM	20	12	4.5	9.0	0.60±0.05	5.0±0.6	1.4 - 3.0	12.5
SFV7D301KM	20	12	4.7	9.0	0.60±0.05	5.0±0.6	1.5 - 3.2	12.5
SFV7D331KM	20	12	4.9	9.0	0.60±0.05	5.0±0.6	1.6 - 3.3	12.5
SFV7D361KM	20	12	5.0	9.0	0.60±0.05	5.0±0.6	1.7 - 3.5	12.5
SFV7D391KM	20	12	5.2	9.0	0.60±0.05	5.0±0.6	1.9 - 3.7	12.5
SFV7D431KM	20	12	5.4	9.0	0.60±0.05	5.0±0.6	2.0 - 3.9	12.5
SFV7D471KM	20	12	5.7	9.0	0.60±0.05	5.0±0.6	2.1 - 4.1	12.5
SFV7D511KM	20	12	5.9	9.0	0.60±0.05	5.0±0.6	2.3 - 4.3	12.5
SFV7D561KM	20	12	6.2	9.0	0.60±0.05	5.0±0.6	2.5 - 4.5	12.5
SFV7D621KM	20	12	6.5	9.0	0.60±0.05	5.0±0.6	2.9 - 4.9	12.5
SFV7D681KM	20	12	6.8	9.0	0.60±0.05	5.0±0.6	3.2 - 5.2	12.5
SFV7D751KM	20	12	7.2	9.0	0.60±0.05	5.0±0.6	3.5 - 5.5	12.5
SFV7D821KM	20	12	7.6	9.0	0.60±0.05	5.0±0.6	3.9 - 5.9	12.5



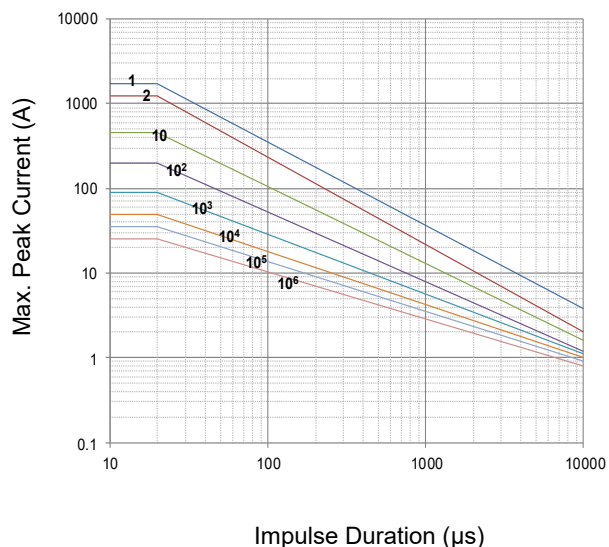
MOV

MOV

Note:  
The above data is for reference only.

### Performance Curve (For reference only )

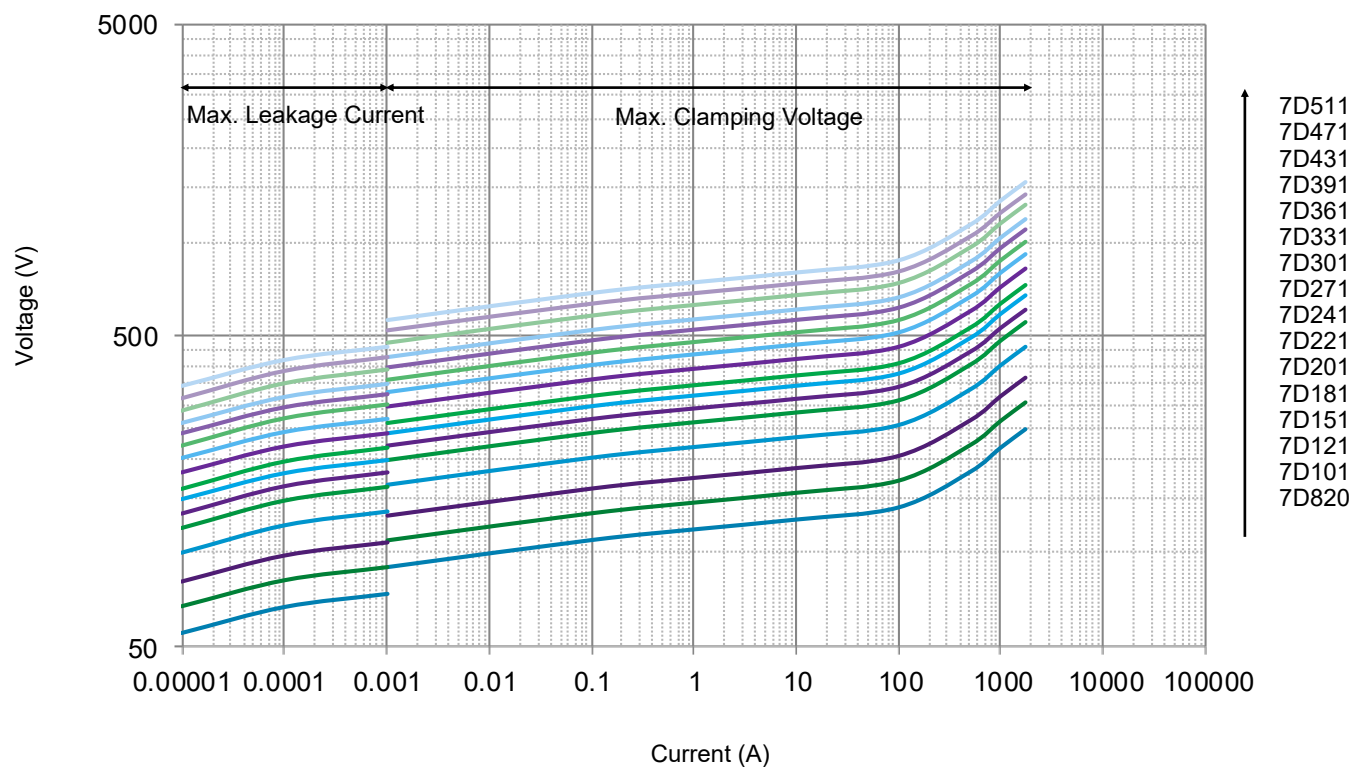
- Max. Peak Current Derating Curves



SFV7D820KM to SFV7D821KM

Note: 1, 2, 10, 10<sup>2</sup>, 10<sup>3</sup>, 10<sup>4</sup>, 10<sup>5</sup>, 10<sup>6</sup> Stand for Repetitions.

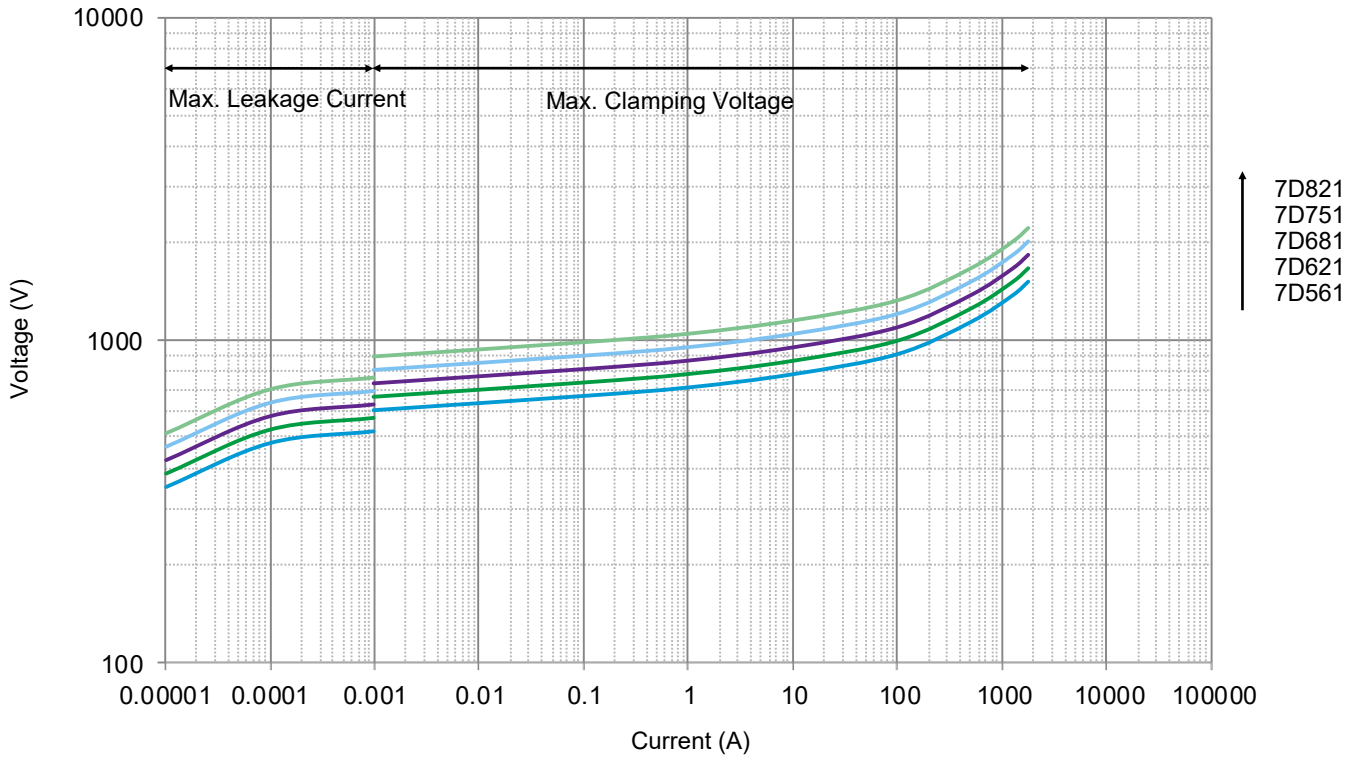
- Voltage-Current Characteristic Curves



- 7D511
- 7D471
- 7D431
- 7D391
- 7D361
- 7D331
- 7D301
- 7D271
- 7D241
- 7D221
- 7D201
- 7D181
- 7D151
- 7D121
- 7D101
- 7D820



- Voltage-Current Characteristic Curves



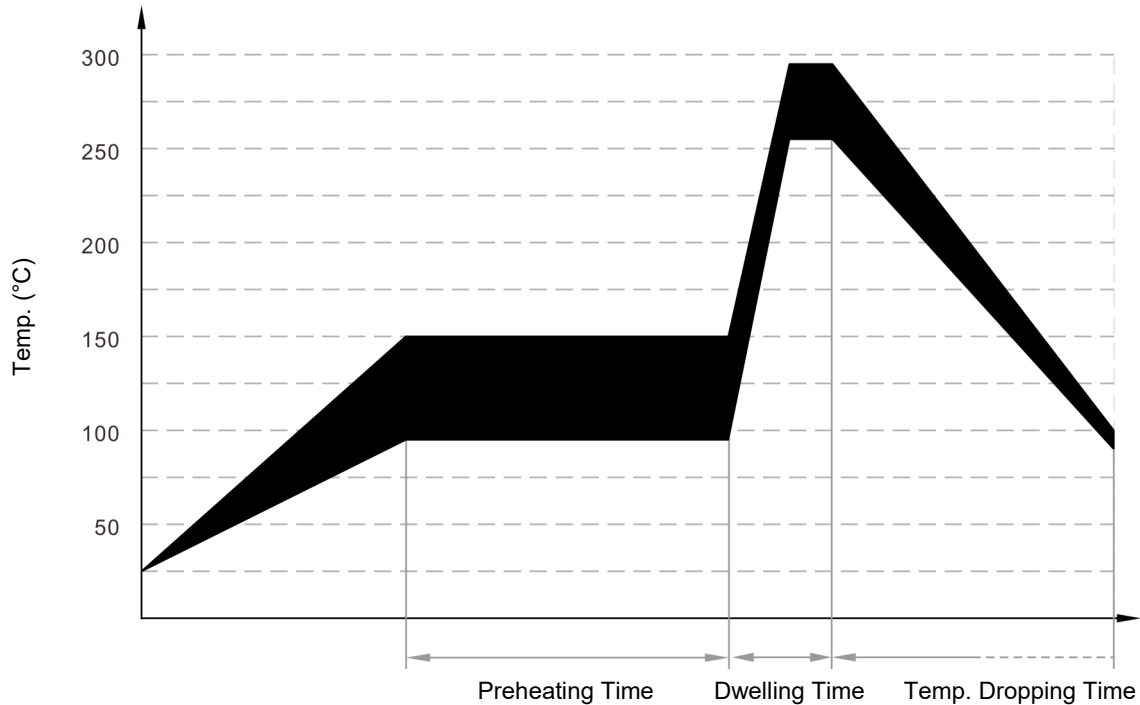
MOV

MOV

## Soldering Parameters

### Wave Soldering Parameters

The wave soldering parameters are for reference only. When MOV is for practice use, some related validation is recommended.



Wave Soldering Curve

Item	Temp. (°C)	Time (s)
Preheating	90 to 150	<150
Dwelling	255 to 290	3 to 10

### Recommended Hand-Soldering Parameters

Item	Condition
Temp. of Solder Head	350 °C (max.)
Soldering Time	4 seconds (max.)

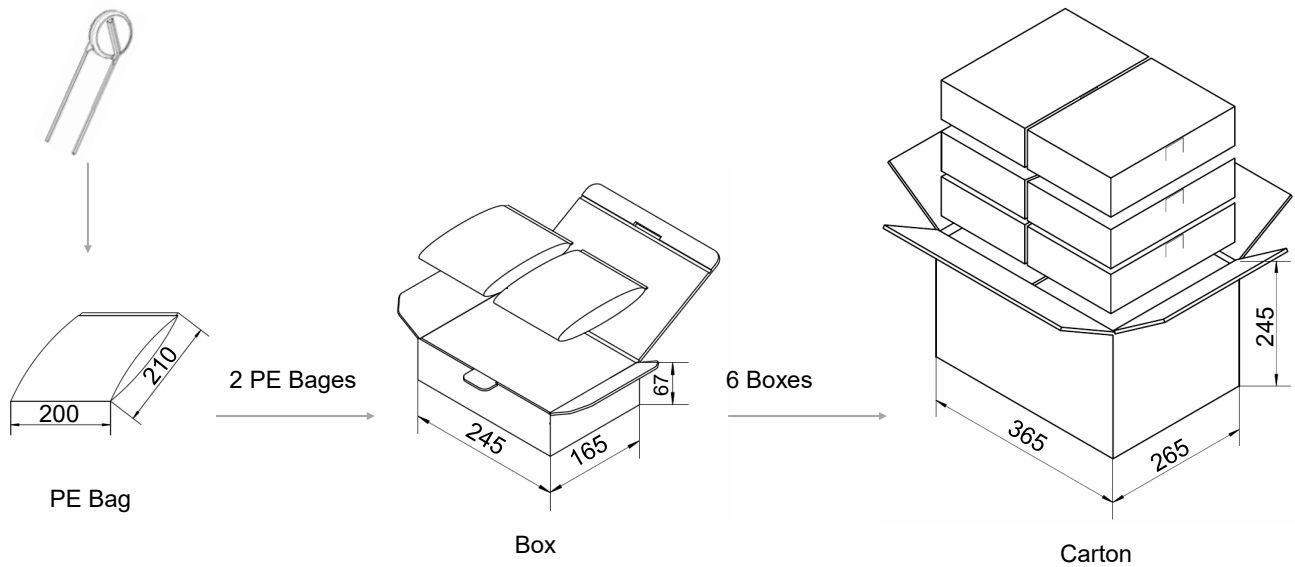
### Packaging Information

- Bulk Packaging (Code: BUL)
- Bulk Packaging Quantity & Weight.

Series	Nominal Varistor Voltage	PE Bag	Box	Carton	G. W / Carton (365 × 265 × 245)
	(V)	(PCS)	(PCS)	(PCS)	(kg)±10%
7D	820 - 471	1000	2000	12000	5 - 11
	511 - 821	800	1600	9600	8 - 13

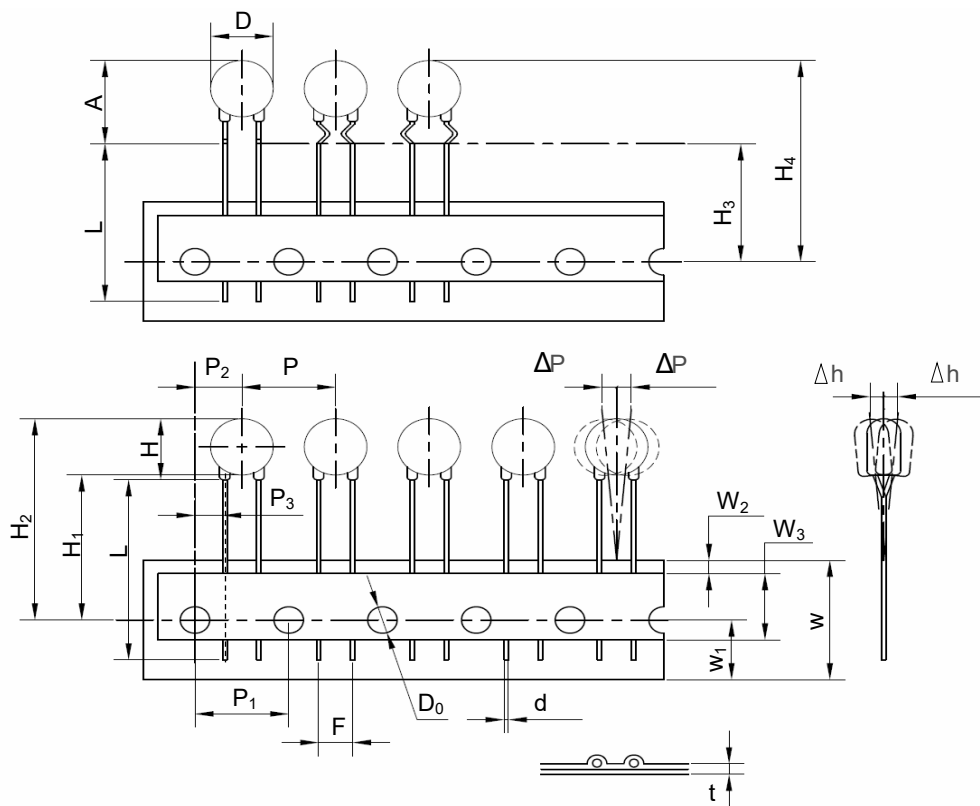
Note:  
Other lead length packaging information, please contact SETsafe | SETfuse.

All Dimensions in mm



**Packaging Information**

- Tape Packaging (Code: 0AB)

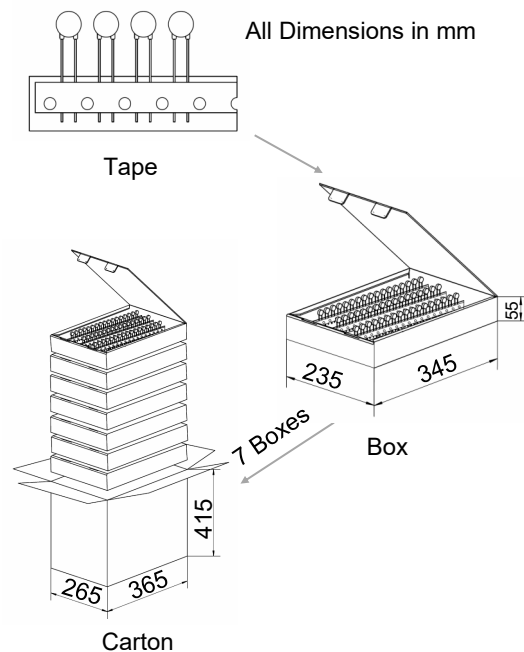


**Dimensions (mm)**

Symbol	Dimensions
P	12.7±1.0
P <sub>1</sub>	12.7±0.3
P <sub>2</sub>	6.35±1.30
P <sub>3</sub>	3.85±1.00
ΔP(max.)	1.0
W	18.0±2.0
W <sub>1</sub>	9.0±1.0
W <sub>2</sub> (max.)	3.0
W <sub>3</sub>	10.0±2.0
H(max.)	12.0
H <sub>1</sub>	18.0 <sup>+2.0</sup> <sub>-0</sub>
H <sub>2</sub> (max.)	32.0
H <sub>3</sub>	18.0 <sup>+2.0</sup> <sub>-0</sub>
H <sub>4</sub> (max.)	33.0
Δh(max.)	2.0
t(max.)	0.6
D(max.)	9.0
D <sub>0</sub>	4.0±0.2
d	0.60±0.05
A(max.)	12.5
F	5.0±1.0
L(min.)	Taping

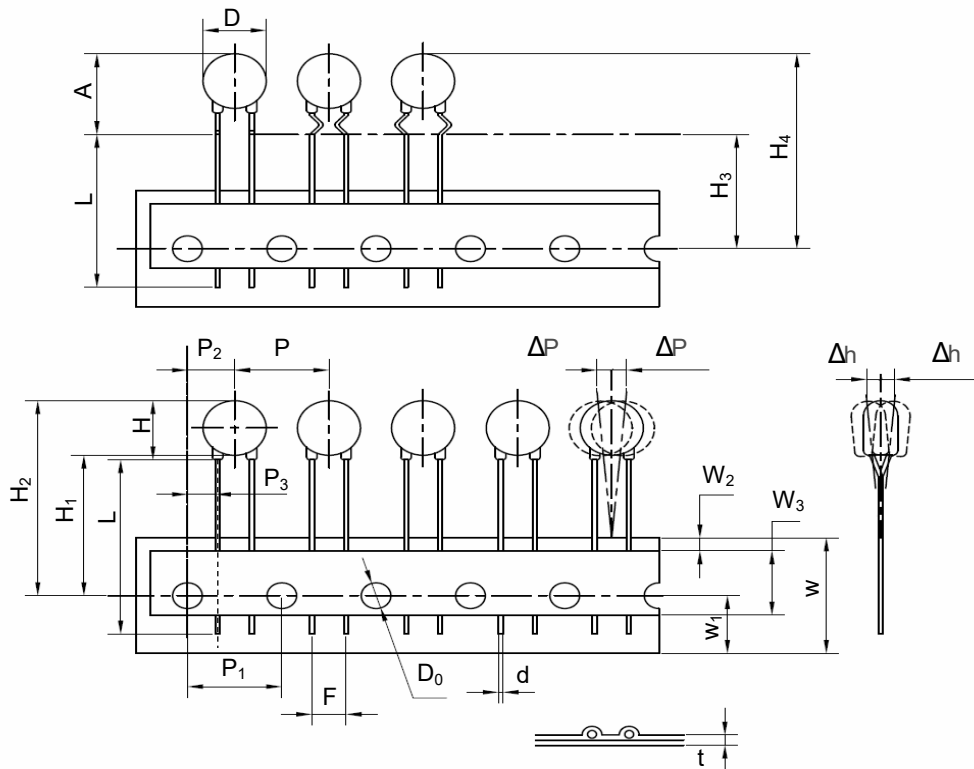
- Tape Packaging Quantity & Weight.

Series	Nominal Varistor Voltage	Box	Carton	G. W / Carton (365 × 265 × 415)
	(V)	(PCS)	(PCS)	(kg)±10%
7D	751 - 821	700	4900	6 - 7
	511 - 681	800	5600	5 - 6
	331 - 471	1000	7000	4 - 6
	820 - 301	1200	8400	4 - 6



**Packaging Information**

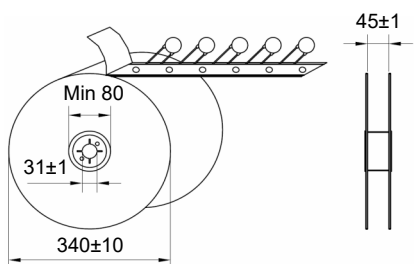
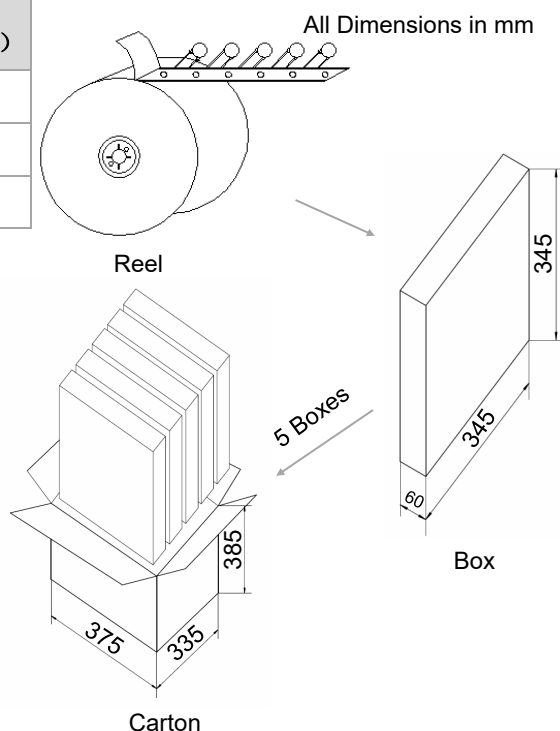
- Reel Packaging (Code:0AR)



Dimensions (mm)	
Symbol	Dimensions
P	12.7±1.0
P <sub>1</sub>	12.7±0.3
P <sub>2</sub>	6.35±1.30
P <sub>3</sub>	3.85±1.00
ΔP(max.)	1.0
W	18.0±1.0
W <sub>1</sub>	9.0±1.0
W <sub>2</sub> (max.)	3.0
W <sub>3</sub>	10.0±2.0
H(max.)	12.0
H <sub>1</sub>	18.0 <sup>+2.0</sup> <sub>-0</sub>
H <sub>2</sub> (max.)	32.0
H <sub>3</sub>	18.0 <sup>+2.0</sup> <sub>-0</sub>
H <sub>4</sub> (max.)	33.0
Δh(max.)	2.0
t(max.)	0.6
D(max.)	9.0
D <sub>0</sub>	4.0±0.2
d	0.60±0.05
A(max.)	12.5
F	5.0±1.0
L(min.)	Taping

- Reel Packaging Quantity & Weight.

Series	Nominal Varistor Voltage	Box	Carton	G. W / Carton
	(V)	(PCS)	(PCS)	(375 × 335 × 385) (kg)±10%
7D	820 - 391	1500	7500	3 - 6
	431 - 821	1000	5000	4 - 7





# ATTENTION

MOV

MOV

## Usage

1. Varistor must operated in the specified ambient temp.
2. Do not clean the varistor with strong polar solvent such as ketone, esters, benzene and halogenated hydrocarbon.
3. Please do not apply severe vibration, shock or pressure to MOV.
4. Please fix lead wires when bending or cutting. The distance between the bending point and the sealing of MOV shall be greater than 2 mm.

## Replacement

If varistor is visually damaged, please replace it.

## Storage

1. Storage Temp. Range: (-40 to +125) °C
2. Relative Humidity : ≤75% RH
3. Altitude: <2000 m
4. Do not store the MOV at the high temp., high humidity or corrosive gas environment, to avoid influencing the solder-ability of the lead wires, the product shall be used up within 1 year after receiving the goods.

## Environmental Conditions

1. Varistor should neither be exposed to the open air, nor direct sunshine.
2. Varistor should avoid rain, water vapor or other condition of high temp. and high humidity.
3. Varistor should avoid sand dust, salt spray, or other harmful gases.

## Max. Typical Capacitance of Varistor

The typical capacitance of varistor is listed in the specifications. Designers may refer to it when designing MOV in high frequency circuit.

## Installation

### Mechanical Stress

Do not knock MOV when installing, to avoid mechanical damage.