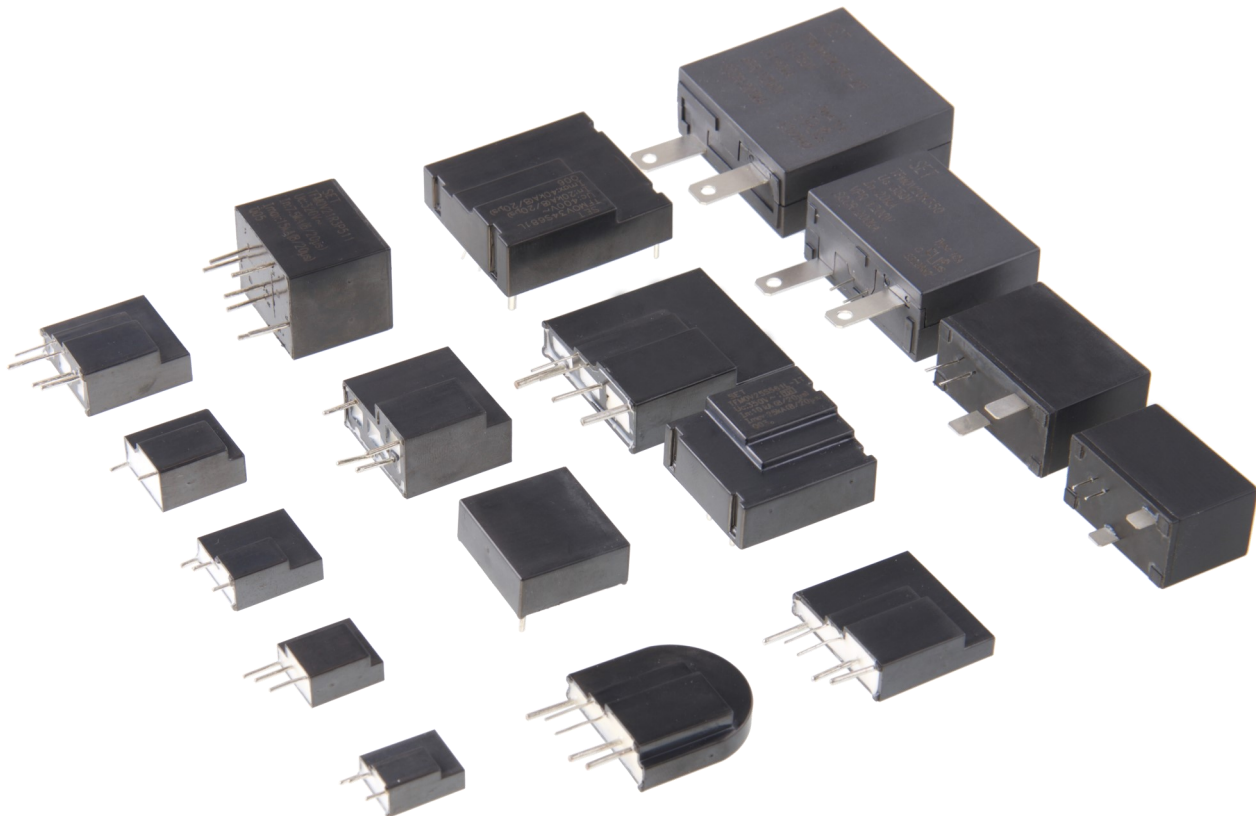


TFMOV

Thermal Fuse & MOV



Features

- Thermal Protection, High Reliability
- Small Size
- Remote Signal Contact for Failure Indication (Optional)
- High Energy Capacity
- Epoxy Sealing Material, Flame-retardant to V0 (UL 94)
- Comply with UL 1449 / IEC 61643-11

Applications

- Telecom Equipment
- String Inverter in Photovoltaic System
- AC / DC Power Supply
- Uninterruptable Power Supply (UPS)
- Surge Protective Device (SPD)
- Electric Meter
- Power Distribution Unit (PDU)

Thermal Fuse & MOV (TFMOV) Feature & Model List Overview

Rated Voltage U_n (V)	AC	DC	Nominal Discharge Current I_n (kA)										Maximum Continuous Operating Voltage U_n (V)		Model				
			1	1.5	2.5	3	4	5	7.5	10	15	20	AC	DC					
690V																	750	1000	Model
600V																	680	895	
480V																	625	825	
400V																	550	745	
347V																	510	670	
254																	460	615	
220																	420	560	
230V																	385	505	
300V																	350	460	
220V																	320	415	
130V																	300	385	
110V																	275	350	
110V																	250	320	
110V																	230	300	
110V																	210	275	
110V																	190	250	
110V																	175	225	
60V																	150	200	
48V																	140	180	
48V																	130	170	
48V																	115	150	
48V																	95	125	
48V																	75	100	
48V																	60	85	
36V																	50	65	
24V																	40	56	
24V																	35	45	
24V																	30	38	
12V																	25	31	
12V																	20	26	
12V																	17	22	

Thermal Fuse & MOV (TFMOV) Feature & Model List Overview

Rated Voltage U_n (V)	AC	DC	Model										Maximum Continuous Operating Voltage U_n (V)	
			7.5	8	10	10	10	10	10	10	15	15	AC	DC
690V	600V		TFMOV20S122x	○	○	○	TFMOV25D122x	TFMOV25S122x	○	○	○	○	750	1000
			TFMOV20S112x	○	○	○	TFMOV25D112x	TFMOV25S112x	○	○	○	○	680	895
480V	400V		TFMOV20S102x	○	○	○	TFMOV25D102x	TFMOV25S102x	○	○	○	○	625	825
			TFMOV20S911x	○	○	○	TFMOV25D911x	TFMOV25S911x	○	○	○	○	550	745
347V	300V		TFMOV20S821x	○	○	○	TFMOV25D821x	TFMOV25S821x	○	○	○	○	510	670
			TFMOV20S751x	○	○	○	TFMOV25D751x	TFMOV25S751x	○	○	○	○	460	615
220 - 230V	254 - 277V		TFMOV20S681x	TFMOV20S681Lx	○	○	TFMOV25D681x	TFMOV25S681x	TFMOV25S681Lx	○	○	○	420	560
			TFMOV20S621x	TFMOV20S621Lx	○	○	TFMOV25D621x	TFMOV25S621x	TFMOV25S621Lx	○	○	○	385	505
220 - 230V	300V		TFMOV20S561x	TFMOV20S561Lx	○	○	TFMOV25D561x	TFMOV25S561x	TFMOV25S561Lx	○	○	○	350	460
			TFMOV20S511x	TFMOV20S511Lx	○	○	TFMOV25D511x	TFMOV25S511x	TFMOV25S511Lx	○	○	○	320	415
110V	110V		TFMOV20S471x	TFMOV20S471Lx	○	○	TFMOV25D471x	TFMOV25S471x	TFMOV25S471Lx	○	○	○	300	385
			TFMOV20S431x	TFMOV20S431Lx	○	○	TFMOV25D431x	TFMOV25S431x	TFMOV25S431Lx	○	○	○	275	350
110V	220V		TFMOV20S391x	TFMOV20S391Lx	○	○	TFMOV25D391x	TFMOV25S391x	TFMOV25S391Lx	○	○	○	250	320
			TFMOV20S361x	TFMOV20S361Lx	○	○	TFMOV25D361x	TFMOV25S361x	TFMOV25S361Lx	○	○	○	230	300
110V	130V		TFMOV20S331x	TFMOV20S331Lx	○	○	TFMOV25D331x	TFMOV25S331x	TFMOV25S331Lx	○	○	○	210	275
			TFMOV20S301x	TFMOV20S301Lx	○	○	TFMOV25D301x	TFMOV25S301x	TFMOV25S301Lx	○	○	○	190	250
110V	110V		TFMOV20S271x	TFMOV20S271Lx	○	○	TFMOV25D271x	TFMOV25S271x	TFMOV25S271Lx	○	○	○	175	225
			TFMOV20S241x	TFMOV20S241Lx	○	○	TFMOV25D241x	TFMOV25S241x	TFMOV25S241Lx	○	○	○	150	200
48V	60V		TFMOV20S221x	TFMOV20S221Lx	○	○	TFMOV25D221x	TFMOV25S221x	TFMOV25S221Lx	○	○	○	140	180
			TFMOV20S201x	TFMOV20S201Lx	○	○	TFMOV25D201x	TFMOV25S201x	TFMOV25S201Lx	○	○	○	130	170
48V	60V		○	○	TFMOV25S181x	TFMOV25S181Lx	○	○	○	○	TFMOV20K181x	115	150	
			○	○	TFMOV25S151x	TFMOV25S151Lx	○	○	○	○	TFMOV20K151x	95	125	
48V	48V		○	○	TFMOV25S121x	TFMOV25S121Lx	○	○	○	○	TFMOV34S121x	75	100	
			○	○	TFMOV25S101x	TFMOV25S101Lx	○	○	○	○	TFMOV34S101x	60	85	
24V	24V		○	○	TFMOV25S820x	TFMOV25S820Lx	○	○	○	○	TFMOV34S560Lx	50	65	
			○	○	○	○	TFMOV34S680x	○	○	○	TFMOV34S470Lx	40	56	
12V	12V		○	○	○	○	TFMOV34S560x	○	○	○	○	35	45	
			○	○	○	○	TFMOV34S470x	○	○	○	○	30	38	
			○	○	○	○	○	○	○	○	25	31		
			○	○	○	○	○	○	○	○	20	26		
			○	○	○	○	○	○	○	○	17	22		

Thermal Fuse & MOV (TFMOV) Feature & Model List Overview

Rated Voltage U_n (V)		Model								Maximum Continuous Operating Voltage U_n (V)	
AC	DC	15	20 $I_{max} = 2.5I_n$	20	30	40	AC	DC			
690V	600V	○	TFMOV20K122x	○	TFMOV34S122x	○	○	TFMOV40K122x	○	750	1000
		○	TFMOV20K112x	○	TFMOV34S112x	○	○	TFMOV40K112x	○	680	895
480V		○	TFMOV20K102x	○	TFMOV34S102x	○	○	TFMOV40K102x	○	625	825
	400V	○	TFMOV20K911x	TFMOV20K550x	TFMOV34S911x	○	○	TFMOV40K911x	TFMOV40K550x	550	745
347V		○	TFMOV20K821x	○	TFMOV34S821x	○	○	TFMOV40K821x	○	510	670
	300V	○	TFMOV20K751x	TFMOV20K460x	TFMOV34S751x	○	○	TFMOV40K751x	TFMOV40K460x	460	615
254	277V	○	TFMOV20K681x	○	TFMOV34S681x	TFMOV34S681Lx	○	TFMOV40K681x	○	420	560
		○	TFMOV20K621x	○	TFMOV34S621x	TFMOV34S621Lx	○	TFMOV40K621x	○	385	505
220	230V	○	TFMOV20K561x	TFMOV20K350x	TFMOV34S561x	TFMOV34S561Lx	○	TFMOV40K561x	TFMOV40K350x	350	460
		○	TFMOV20K511x	○	TFMOV34S511x	TFMOV34S511Lx	○	TFMOV40K511x	○	320	415
120	130V	○	TFMOV20K471x	○	TFMOV34S471x	TFMOV34S471Lx	○	TFMOV40K471x	○	300	385
		○	TFMOV20K431x	TFMOV20K300x	TFMOV34S431x	TFMOV34S431Lx	○	TFMOV40K431x	TFMOV40K300x	275	350
110V	110V	○	TFMOV20K391x	○	TFMOV34S391x	TFMOV34S391Lx	○	TFMOV40K391x	○	250	320
		○	TFMOV20K361x	○	TFMOV34S361x	TFMOV34S361Lx	○	TFMOV40K361x	○	230	300
60V	60V	○	TFMOV20K331x	○	TFMOV34S331x	TFMOV34S331Lx	○	TFMOV40K331x	○	210	275
		○	TFMOV20K301x	○	TFMOV34S301x	TFMOV34S301Lx	○	TFMOV40K301x	○	190	250
48V	48V	○	TFMOV20K271x	○	TFMOV34S271x	TFMOV34S271Lx	○	TFMOV40K271x	○	175	225
		○	TFMOV20K241x	TFMOV20K150x	TFMOV34S241x	TFMOV34S241Lx	○	TFMOV40K241x	TFMOV40K150x	150	200
36V	36V	○	TFMOV20K221x	○	TFMOV34S221x	TFMOV34S221Lx	○	TFMOV40K221x	○	140	180
		○	TFMOV20K201x	○	TFMOV34S201x	TFMOV34S201Lx	○	TFMOV40K201x	○	130	170
24V	24V	○	○	○	TFMOV34S181x	TFMOV34S181Lx	○	TFMOV40K181x	○	115	150
		○	○	○	TFMOV34S151x	TFMOV34S151Lx	○	○	○	95	125
12V	12V	TFMOV34S121Lx	○	○	○	○	○	○	○	75	100
		TFMOV34S101Lx	○	○	○	○	TFMOV40K121x	○	○	60	85
12V	12V	TFMOV34S820Lx	○	○	○	○	TFMOV40K101x	○	○	50	65
		○	○	○	○	○	TFMOV40K820x	○	○	40	56
		○	○	○	○	○	○	○	35	45	
		○	○	○	○	○	○	○	30	38	
		○	○	○	○	○	○	○	25	31	
		○	○	○	○	○	○	○	20	26	
		○	○	○	○	○	○	○	17	22	

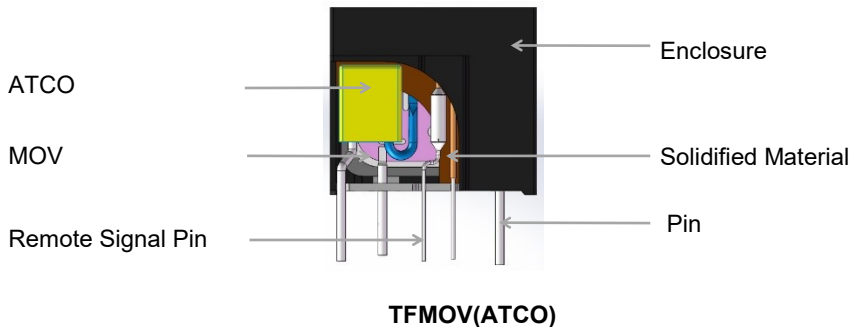
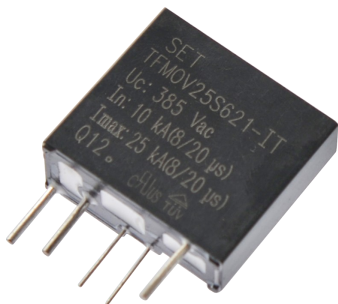
Thermal Fuse & MOV (TFMOV) Feature & Model List Overview

Rated Voltage U_n (V)	AC	DC	Nominal Discharge Current I_n (kA)						Maximum Continuous Operating Voltage U_n (V)		Model		
			2.5x2	5x2	7.5x2	2.5x3	5x3	7.5x3	AC	DC			
690V		600V									750	1000	
											680	895	
480V											625	825	
		400V									550	745	
347V											510	670	
											460	615	
		254									420	560	
220		277V									385	505	
											350	460	
230V		300V			TFMOV21R2P511					TFMOV21R3P511	320	415	
					TFMOV21R2P471					TFMOV21R3P471	300	385	
					TFMOV21R2P431					TFMOV21R3P431	275	350	
					TFMOV21R2P391					TFMOV21R3P391	250	320	
		120			TFMOV21R2P361					TFMOV21R3P361	230	300	
		130V			TFMOV21R2P331					TFMOV21R3P331	210	275	
					TFMOV21R2P301					TFMOV21R3P301	190	250	
					TFMOV21R2P271					TFMOV21R3P271	175	225	
		110V			TFMOV21R2P241					TFMOV21R3P241	150	200	
110V					TFMOV21R2P221					TFMOV21R3P221	140	180	
					TFMOV21R2P201					TFMOV21R3P201	130	170	
					TFMOV21R2P181					TFMOV21R3P181	115	150	
		60V			TFMOV21R2P151					TFMOV21R3P151	95	125	
48V					TFMOV21R2P121					TFMOV21R3P121	75	100	
		48V			TFMOV21R2P101					TFMOV21R3P101	60	85	
		36V			TFMOV21R2P820					TFMOV21R3P820	50	65	
					TFMOV21R2P680					TFMOV21R3P680	40	56	
24V		24V			TFMOV21R2P560					TFMOV21R3P560	35	45	
					TFMOV21R2P470					TFMOV21R3P470	30	38	
											25	31	
12V		12V									20	26	
											17	22	

TFMOV

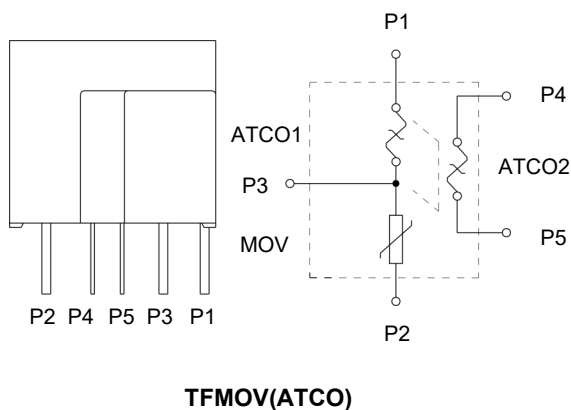
Thermal Fuse & MOV

Description



TFMOV is a combination of varistors (MOV) and thermal protection component. Since varistor has the characteristics of aging or degrading; TFMOV can separate the varistor from the main circuitry by opening the thermal protection component when the varistor (MOV) degrades or fails. It is often used in which requires high reliability and weather withstanding, such as photovoltaic inverters, communication equipment, and power supplies in data centers, etc.

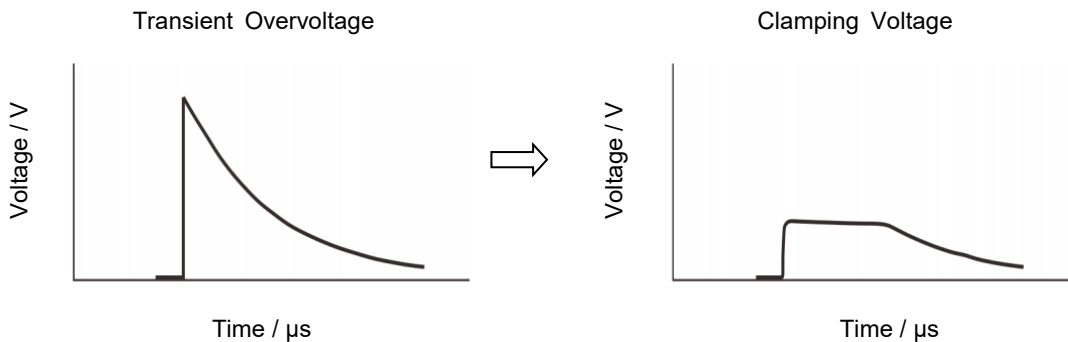
Schematics



TFMOV

Thermal Fuse & MOV

MOV Operation Principle



MOV Thermal Protection

Figure a is a surge protection circuit commonly used in power supplies. MOV is used to suppress the surge voltage and protect the subsequent circuit. There is a risk of burning when the varistor degrades or fails. In the high-reliability surge protection circuit of Figure b, in order to improve the safety of the circuit, a thermal protection varistor TFMOV is used as the surge voltage protection element. TFMOV is a combination of varistors (MOV) and thermal protection component. When the temperature of the MOV is abnormally exceeded, the thermal fuse will be opened first, so that the failure mode of the MOV appears to be open-circuit failure.

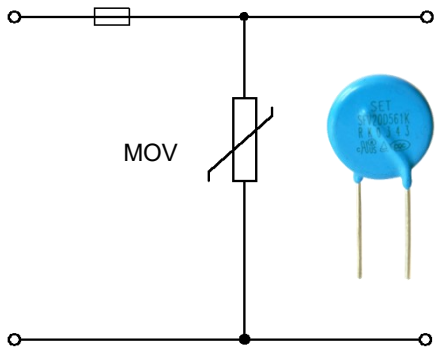


Figure a Typical surge protection circuit

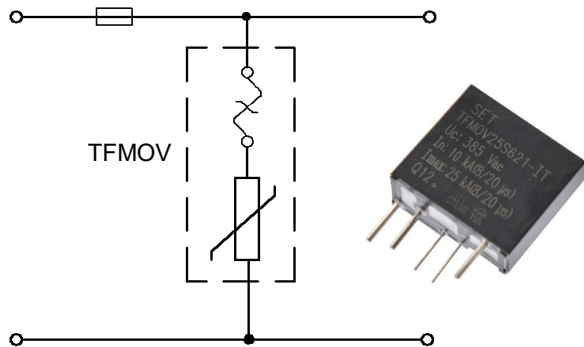
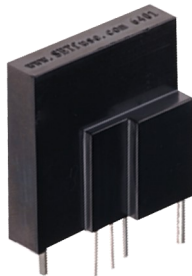


Figure b: High reliability surge protection circuit

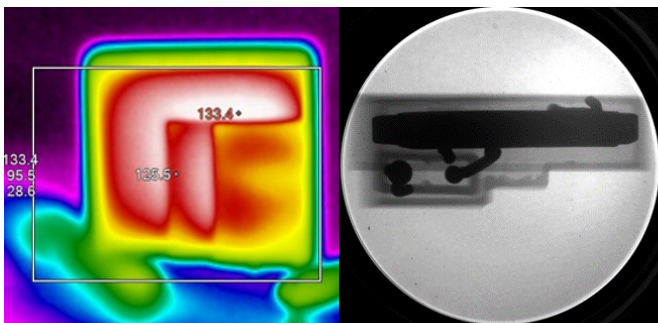
TFMOV

Thermal Fuse & MOV

Benefits



Safety

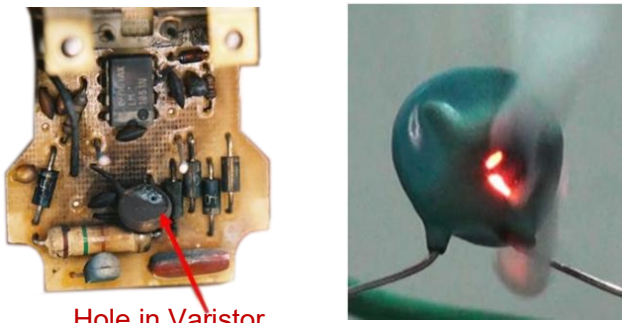


TFMOV Failure Simulation

During the electrical performance degrading of varistor, the inbuilt ATCO will open the circuit when the leakage current of varistor increases to tens of micro Amperes. As shown in the figure above, this is a safe open circuit failure.



Hidden Danger



MOV Failure Simulation

The electrical performance of varistor degrades with operating, mostly the varistor voltage drops, and leakage current increases. The heat accumulation can cause the temperature increase sharply and varistor results in thermal breakdown to short circuit status. It's very dangerous.

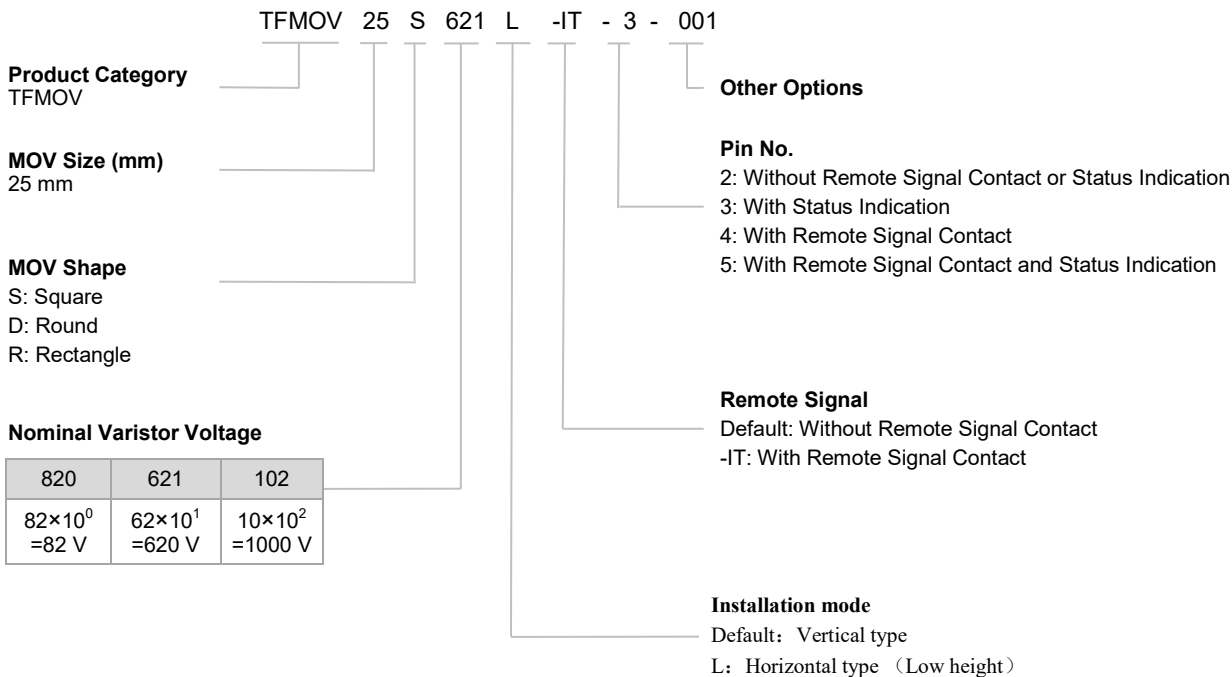
TFMOV

TFMOV

TFMOV

Thermal Fuse & MOV

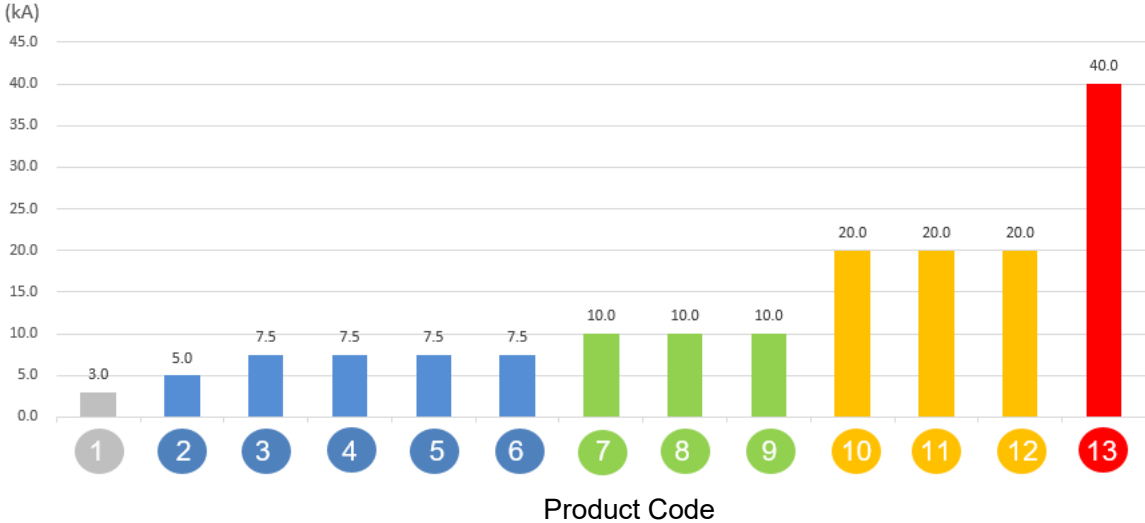
Part Numbering System



TFMOV

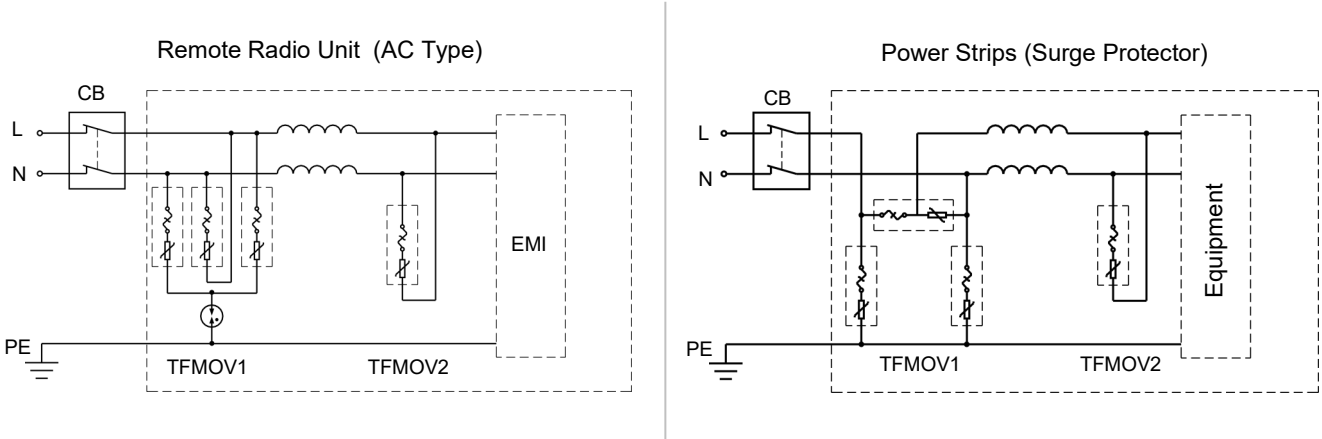
Thermal Fuse & MOV

Nominal Discharge Current



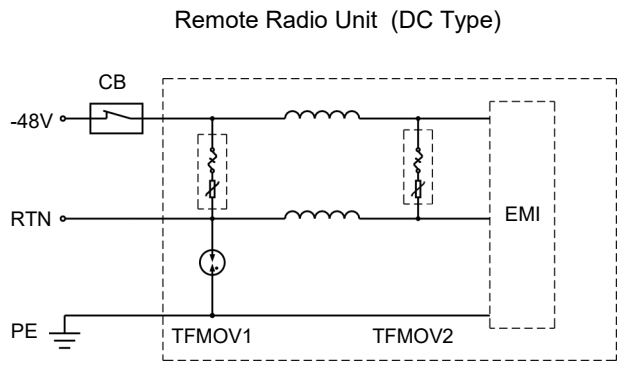
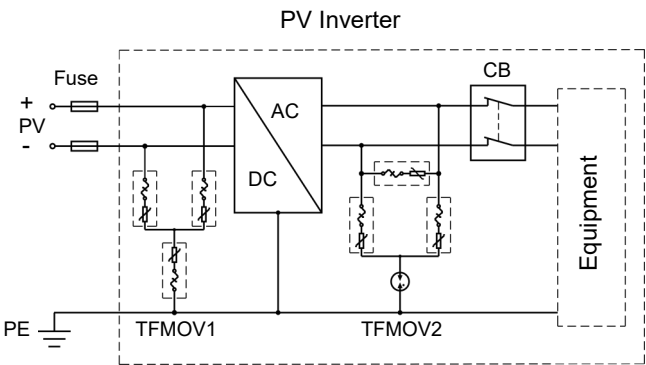
- 1 TFMOV10S Series
- 2 TFMOV15S Series
- 3 TFMOV20S Series
- 4 TFMOV20SxxxL Series
- 5 TFMOV21R2P Series
- 6 TFMOV21R3P Series
- 7 TFMOV25S Series
- 8 TFMOV25SxxxL Series
- 9 TFMOV25D Series
- 10 TFMOV34S Series
- 11 TFMOV34SxxxL Series
- 12 TFMOV20K Series
- 13 TFMOV40K Series

Application Options



TFMOV

Thermal Fuse & MOV



Design

When a single TFMOV surge capacity can't meet the requirement of customers, paralleling more TFMOVs is recommended. Due to its nonlinear current-voltage characteristics, please pay attention to below tips:

1. Use the TFMOV from the same manufacturer with same model to parallel.
2. Control the varistor voltage; Typically, the varistor voltage deviation should be less than 1% in the same group (between the Max and Min), and meet the next tip at the same time.
3. Calculate the average surge capacity for each TFMOV and keep a margin at least 10%.
4. Design the layout like Figure.2. to make sure the surge capacity is divided averagely.

The Design not Recommended

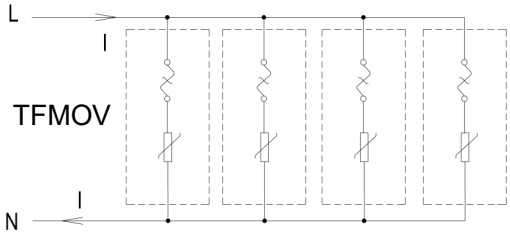


Figure .1

The Design Recommended

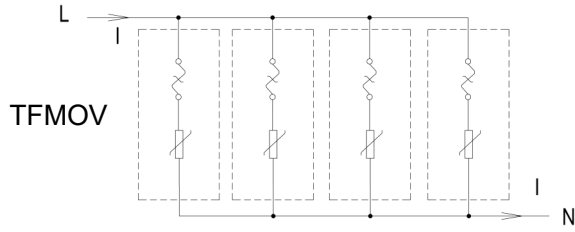


Figure .2





TFMOV

TFMOV

TFMOV

Thermal Fuse & MOV

Agency Information

Agency Information		Standards	NO.	Category
	UL	UL 1449 4th Edition	E322662	VZCA2
	CUL	CSA C22. 2 NO. 269, CSA ECN 516	E322662	VZCA8
	TUV	IEC/EN 61643-11, IEC/EN 61643-31	See the different models for details	N/A
	CQC	GB 4943.1-2011, GB 8898-2011; GB/T 10193-1997, GB/T 10194-1997	See the different models for details	N/A

Patents

Name	Region	Category	Patent NO.
Varistor with In-built Alloy-Type Thermal Fuse	China	Patent for Invention	ZL 200510044661.5
A Protection Pluggable Module with Over Current、 Over Voltage、 and Over Temperature Protection Function	China	Utility Model	ZL 201020244488.X
A Varistor with Double Protection Function	China	Utility Model	ZL 201020255481.8
Surge Protection Module Applicable for Power Strip	China	Utility Model	ZL 201120107173.5
A Surge Protection Module Applicable for Power Strip	China	Patent for Invention	ZL 201110092261.7
A New Type of Varistor and Surge Protective Device with Thermal Protection	China	Utility Mode	ZL 201420306127.1
A Surge Protective Device	China	Utility Modeel	ZL 201420415059.2
A Varistor and Thermal Protection Component Combination	China	Utility Mode	ZL 201520376567.9
合金型温度ヒューズ付のバリスタ	Japan	Utility Mode	3142835
Varistor with an Alloy-Type Temperature Fuse	Australia	Utility Mode	2007100456
Varistor with an Alloy-Type Temperature Fuse	Taiwan	Utility Model	M 300855
Varistor with an Alloy-type Temperature Fuse	Canada	Patent for Invention	2588819
Metal Oxide Varistor with Built-in Alloy-Type Temperature Fuse	USA	Patent for Invention	US 8780521
Varistor with In-built Alloy Type Thermal Fuse (with Housing)	USA	Patent for Invention	US 9355763

TFMOV

Thermal Fuse & MOV

Glossary

Item	Description
V_N	Nominal Varistor Voltage Voltage, at specified d.c. current used as a reference point in the component characteristic.
8/20 μ s	8/20 Current Impulse Current impulse with a nominal virtual front time of 8 μ s and a nominal time to half-value of 20 μ s. — (IEC 61643-11)
1.2/50 μ s	1.2/50 Voltage Impulse Voltage impulse with a nominal virtual front time of 1.2 μ s and a nominal time to half-value of 50 μ s. — (IEC 61643-11)
U_c	Maximum Continuous Operating Voltage Maximum r.m.s. voltage, which may be continuously applied to the SPD's mode of protection. — (IEC 61643-11)
I_n	Nominal Discharge Current Crest value of the current through the SPD having a current waveshape of 8/20 μ s. — (IEC 61643-11)
I_{imp}	Impulse Discharge Current for Class I Test Crest value of a discharge current through the SPD with specified charge transfer Q and specified energy W/R in the specified time. — (IEC 61643-11)
I_{max}	Maximum Discharge Current Crest value of a current through the SPD having an 8/20 μ s waveshape and magnitude according to the manufacturers specification. I_{max} is equal to or greater than I_n . — (IEC 61643-11)
V_c	Clamping Voltage Peak voltage developed across the varistor terminations under standard atmospheric conditions, when passing an 8/20 μ s class current pulse.
C_v	Capacitance Capacitance across the MOV measured at a specified frequency and voltage.
Modes of protection	Modes of protection An intended current path, between terminals that contains protective components, e.g. line-to-line, line-to-earth, line-to-neutral, neutral-to-earth. — (IEC 61643-11)
U_p	Voltage Protection Level Maximum voltage to be expected at the SPD terminals due to an impulse stress with defined voltage steepness and an impulse stress with a discharge current with given amplitude and wave shape. — (IEC 61643-11)
TCO	Thermal-Link A non-resettable device incorporating a THERMAL ELEMENT which will open a circuit once only when exposed for a sufficient length of time to a temperature in excess of that for which it has been designed.
ATCO	Alloy Thermal-Link Alloy Type Thermal-Link, Alloy is the thermal element.

TFMOV

Thermal Fuse & MOV



ATTENTION

Usage

1. Frequency range is from 47 Hz to 63 Hz.
2. The voltage applied continuously to the TFMOV can not exceed its maximum continuous operating voltage U_c .
3. When atmosphere press is from 80 kPa to 106 kPa, the related altitude shall be from 2000 meters to - 500 meters.
4. Do not touch the product body or pins directly when power is on, to avoid electric shock.
5. Do not clean the TFMOV with strong polar solvent such as ketone, esters, benzene, halogenated hydrocarbon, to avoid damaging the enclosure.
6. It should have a reliable grounding when using these products.

Replacement

TFMOV is a non-repairable product. For safety sake, please use equivalent TFMOV for replacement.

Storage

Do not store TFMOV at high temperature, high humidity or corrosive gas environment. To avoid reducing the solderability of the pins, please use them up within 1 year after receiving the goods.

Installation Position

Do not install the TFMOV on a place that may often suffer severe continuous vibration.

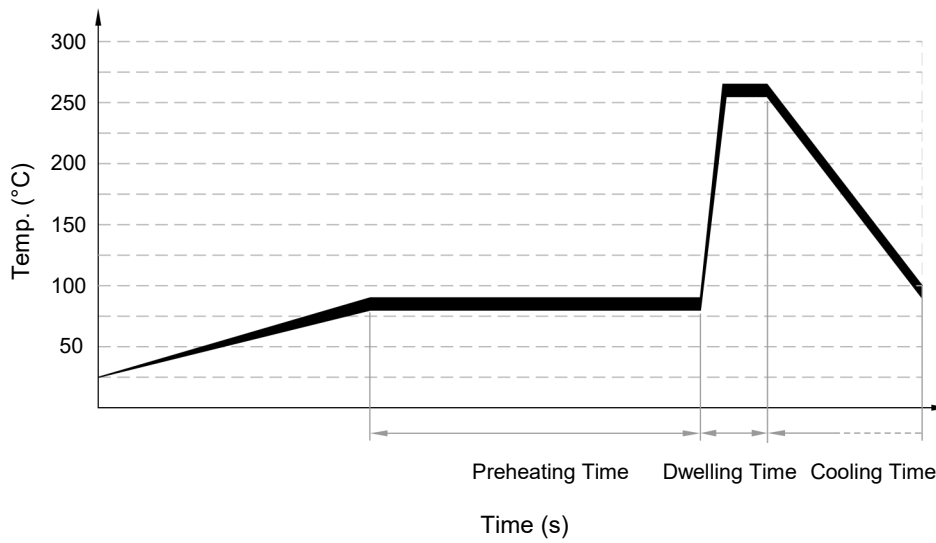
Mechanical Stress

Do not take violent action such as knocking when assembling to avoid mechanical damage.

TFMOV

Thermal Fuse & MOV

Wave Soldering Parameters (Reference)



Item	Temp. (°C)	Time (s)
Preheating	80 to 90	60 to 150
Dwelling	250 to 260	2 to 4

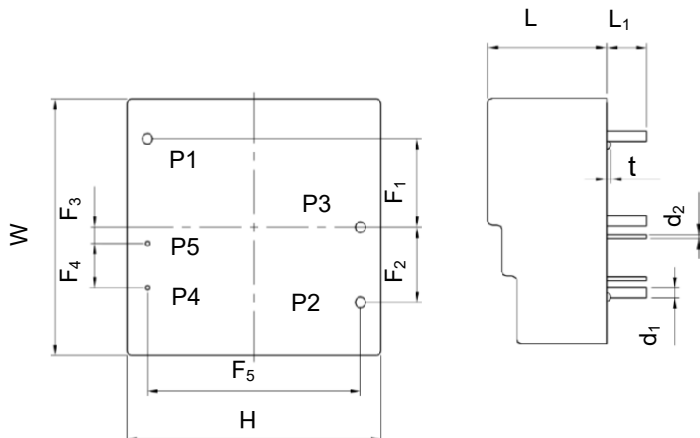
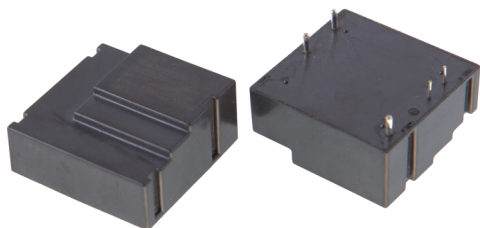
Recommended Hand-Soldering Parameters

Item	Condition
Iron Temperature	350 °C (Max.)
Soldering Time	4 seconds (Max.)
Distance between Soldering Point and the Bottom of Product	2 mm (Min.)

TFMOV

Thermal Fuse & MOV



TFMOV25SxxxL Series



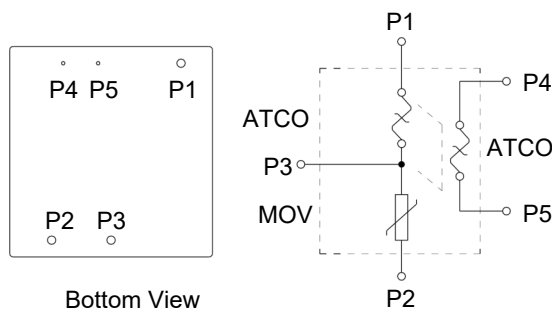
Note:
Pin P3 / P4 / P5 is Optional
Unit: mm

Nominal Varistor Voltage	L (±1.0)	L ₁ (±1.0)	W (±1.0)	H (±1.0)	d ₁ (-0.05,+0.15)	d ₂ (±0.05)	F ₁ (±0.5)	F ₂ (±0.5)	F ₃ (±0.5)	F ₄ (±0.5)	F ₅ (±0.5)	t (±0.1)
25S470L - 681L	13.5	4.5	29.0	30.0	1.20	0.54	10.0	8.5	1.9	5.0	25.2	0.4

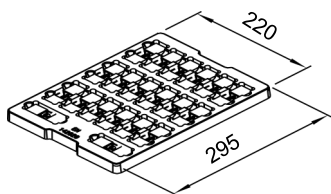
Agency Approvals

Agency	Standards	No.
 UL 	UL1449	E322662
Environment	RoHS & REACH	Compliant

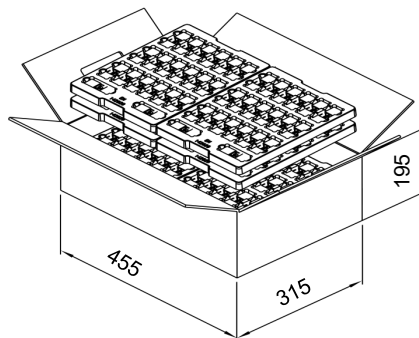
Schematics



Packaging Information



36 Trays
→



Unit: mm
Please contact us if you have special packaging requirements.

Item	Nominal Varistor Voltage	Tray	Carton
Dimensions (mm)	N/A	295 × 220	455 × 315 × 195
Quantity (PCS)	470 - 681	36	576

TFMOV

Thermal Fuse & MOV

TFMOV25SxxxL Series

Specifications

Model	Max. Continuous Operating Voltage		Varistor Voltage @1 mA DC		Clamping Voltage (Max.)		Nominal Discharge Current (8/20 μs)	Max. Discharge Current (8/20 μs)	Voltage Clamping Ratio ^a		Max. Energy (Joule)	Typical Capacitance (Reference)	Thermal Fuse
	U _c		Min.	Max.	V _C	I _P	I _n	I _{max}	R _{cl}	I _n	10/1000 μs	@1 kHz	UL 60691 E214712
	(VAC)	(VDC)	(V)		(V)	(A)	(kA)			(kA)	(J)	(pF)	
TFMOV25S470Lx	30	38	42	52	93	35	4	8	4.3	4	60	17250	VT Series U _r :690 VAC I _r :15 A / 16 A
TFMOV25S560Lx	35	45	50	62	110	35	5	10	3.8	5	72	14500	
TFMOV25S680Lx	40	56	61	75	135	35	5	10	3.8	5	85	9500	
TFMOV25S820Lx	50	65	74	90	135	175	8	16	3.2	8	98	8800	
TFMOV25S101Lx	60	85	90	110	165	175	8	16	3.2	8	122	7200	
TFMOV25S121Lx	75	100	108	132	200	175	8	16	3.2	8	146	6000	
TFMOV25S151Lx	95	125	135	165	250	175	8	16	3.2	8	185	4400	
TFMOV25S181Lx	115	150	162	198	300	175	8	16	2.3	8	218	3650	
TFMOV25S201Lx	130	170	185	225	340	175	10	25	2.3	10	252	3300	
TFMOV25S221Lx	140	180	198	242	360	175	10	25	2.3	10	280	3000	
TFMOV25S241Lx	150	200	216	264	395	175	10	25	2.3	10	302	2800	
TFMOV25S271Lx	175	225	243	297	455	175	10	25	2.3	10	340	2450	
TFMOV25S301Lx	190	250	270	330	500	175	10	25	2.3	10	375	2200	
TFMOV25S331Lx	210	275	297	363	550	175	10	25	2.3	10	410	2050	
TFMOV25S361Lx	230	300	324	396	595	175	10	25	2.3	10	465	1850	
TFMOV25S391Lx	250	320	351	429	650	175	10	25	2.3	10	520	1700	
TFMOV25S431Lx	275	350	387	473	710	175	10	25	2.3	10	575	1600	
TFMOV25S471Lx	300	385	423	517	775	175	10	25	2.3	10	630	1450	
TFMOV25S511Lx	320	415	459	561	845	175	10	25	2.3	10	665	1300	
TFMOV25S561Lx	350	460	504	616	925	175	10	25	2.3	10	720	1200	
TFMOV25S621Lx	385	505	558	682	1025	175	10	25	2.3	10	790	1100	
TFMOV25S681Lx	420	560	612	748	1120	175	10	25	2.3	10	790	1000	

Note:

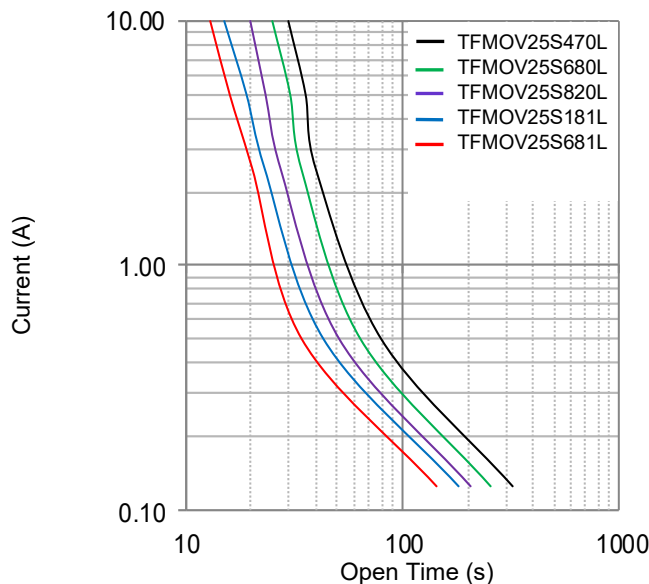
a: $R_{cl} = \frac{V_C}{V_N}$, $U_p \geq V_C$, V_C : Clamping Voltage (@ I_n), V_N : Varistor Voltage, U_p : Voltage Protection Level.

The Value of Voltage Protection Level (U_p) is determined according to IEC 61643-11:2011 clause 6.4.

Preferred values of voltage protection level (kV): 0.08, 0.09, 0.10, 0.12, 0.15, 0.22, 0.33, 0.4, 0.5, 0.6, 0.7, 0.8, 0.9, 1.0, 1.2, 1.5, 1.8, 2.0, 2.5, 3.0, 4.0, 5.0, 6.0, 8.0, 10.

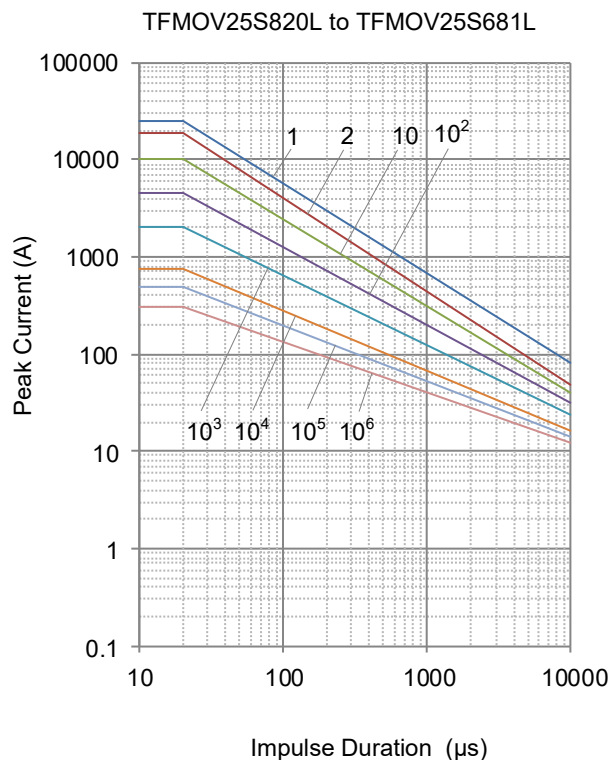
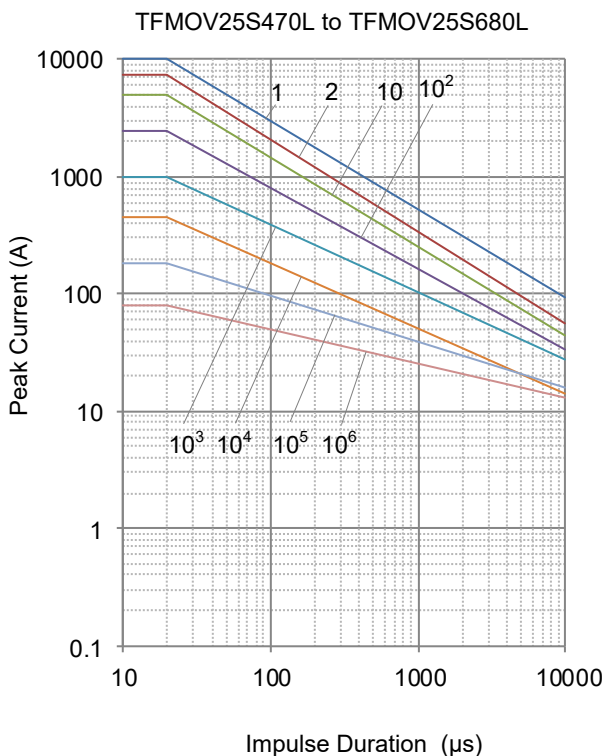
Performance Curve for Reference

Limited Current Test Curve (UL 1449 4th clause 44.4)



Note: The limited current test curve is for reference only.

Max. Peak Current Derating Curve



Note: 1, 2, 10, 10², 10³, 10⁴, 10⁵, 10⁶ Stand for number of repetitions.

TFMOV

Thermal Fuse & MOV

TFMOV25SxxxL Series

Voltage-Current Characteristic Curves

