

TVS

TVS

Description

The SPCL6 series of high power TVS diode is specially designed for meeting severe surge test environment of both AC and DC line protection applications. It features a very fast response and ultra low clamping characteristics over traditional metal oxide varistor (MOV) solutions. They can be connected in series and / or parallel to create a very high surge current protection solution.

Applications

- Communication Equipment
- Security & Protection
- Industrial Control Equipment
- Power Supply
- Automotive Electronics
- New Energy
- Lightning Protection

Features

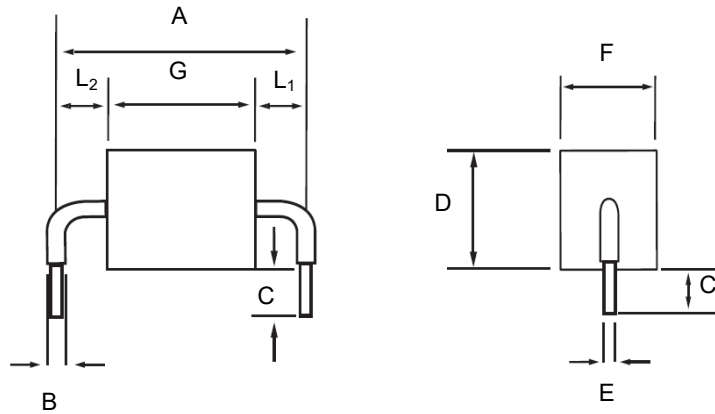
- Very low clamping voltage
- Sharp breakdown voltage
- Low slope resistance
- Bi-directional
- Snapback technology for superior clamping factor
- Symmetric in leads width for easier soldering during assembly
- IEC-61000-4-2 ESD 30 kV (Air), 30 kV (Contact)
- ESD protection of data lines in accordance with IEC 61000-4-2
- EFT protection of data lines in accordance with IEC 61000-4-4
- Halogen-free
- RoHS compliant
- Glass passivated junction
- Pb-free E4 means 2nd level interconnect is Pb-free and the terminal finish material is Silver

Functional Diagram



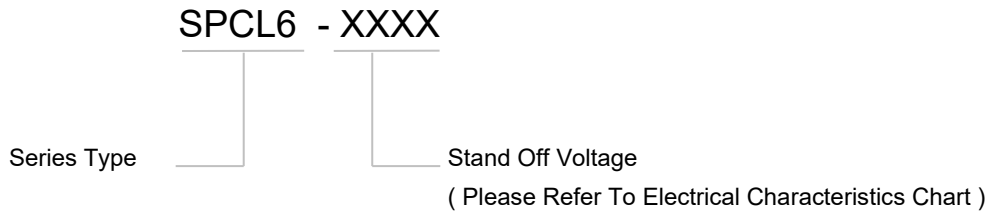
Bi-Directional

Package Outline Dimensions

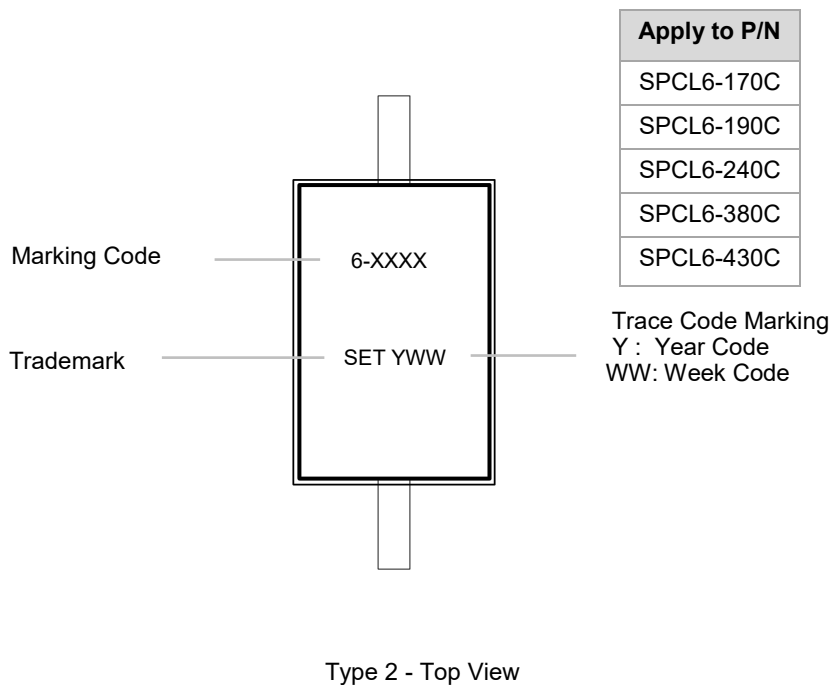
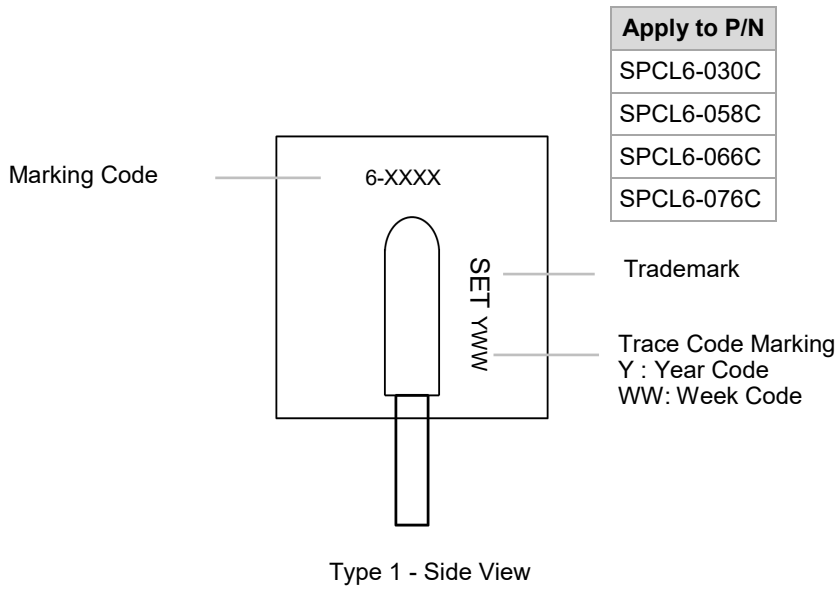


Symbol	Millimeters	Inches
A	24.15 ± 1.00	0.951 ± 0.040
B	2.50 ± 0.70	0.100 ± 0.028
C	6.00 ± 1.00	0.236 ± 0.040
D	14.48 max.	0.570 max.
E	1.28 ± 0.05	0.051 ± 0.002
F	12.70 max.	0.500 max.
G - 030C / -038C	4.10 ± 1.00	0.161 ± 0.040
G - 058C / -066C / -076C	4.80 ± 1.00	0.189 ± 0.040
G - 170C / 190C	8.13 ± 1.00	0.320 ± 0.040
G - 240C	9.40 ± 1.00	0.370 ± 0.040
G - 380C-Y / 430C	13.8 0 ± 1.00	0.543 ± 0.040
L ₁ / L ₂	L ₁ = L ₂ Tolerance ± 1.0 mm (± 0.04 inch)	

Part Numbering System



Marking



Glossary

Item	Description
V_C	Clamping Voltage Voltage across TVS in a region of low differential resistance that serves to limit the voltage across the device terminals.
V_R	Reverse Stand-off Voltage Maximum voltage that can be applied to the TVS without operation. NOTE : It is also shown as V_{WM} (maximum working voltage (maximum d.c. voltage)) and known as rated stand-off voltage (V_{so}).
I_R	Reverse Leakage Current Current measured at V_R . NOTE : Also shown as I_D for stand-by current.
V_{BR}	Breakdown Voltage Voltage across TVS at a specified current I_T in the breakdown region.
I_{PPM}	Rated Random Recurring Peak Impulse Current Maximum-rated value of random recurring peak impulse current that may be applied to a device.
$P_{M(AV)}$	Rated Average Power Dissipation Maximum-rated value of power dissipation resulting from all sources, including transients and standby current, averaged over a short period of time.
P_{PPM}	Rated Random Recurring Peak Impulse Power Dissipation Maximum-rated value of the product of rated random recurring peak impulse current (I_{PPM}) multiplies by specified maximum clamping voltage (V_C).
C_J	Capacitance Capacitance across the TVS measured at a specified frequency and voltage.
V_{FS}	Peak Forward Surge Voltage Peak voltage across an TVS for a specified forward surge current (I_{FS}) and time duration. NOTE : Also shown as V_F .
I_{FS}	Forward Surge Current Pulsed current through TVS in the forward conducting region. NOTE : Also shown as I_F .
$\alpha_{V(BR)}$	Temperature Coefficient of Breakdown Voltage The change of breakdown voltage divided by the change of temperature.
I_{PP}	Peak pulse Current Peak pulse current value applied across the TVS to determine the clamping voltage V_C for a specified wave shape.
I_T	Pulsed D.C. Test Current Test current for measurement of the breakdown voltage V_{BR} . This is defined by the manufacturer and usually given in milliamperes with a pulse duration of less than 40 ms. NOTE : Also shown as I_{BR} .

—(GB-T 18802.321 / IEC 61643-321 / JESD210A)

Electrical Characteristics ($T_A = 25\text{ }^\circ\text{C}$ unless otherwise noted) Table 1

Part Number	Device Marking Code	Breakdown Voltage $V_{BR@I_T}$		Test Current I_T	Stand-off Voltage V_R	Max. Reverse Leakage $I_R@V_R$	Typical $I_R@85^\circ\text{C}$	Max. Clamping Voltage V_{CL} @ I_{PP} Peak Pulse Current (I_{PP}) (Note 1)		Max. Temp Coefficient OF V_{BR}	Max. Capacitance 0 Bias 10kHz
		Min	Max					IPP(A)	VCL(V)		
		(V)									
SPCL6-030C	6-030C	32	37	10	30	10	15	6000	58	0.1	11.0
SPCL6-038C	6-038C	42.6	47.6	10	38	10	15	6000	73.4	0.1	11.0
SPCL6-058C	6-058C	64	70	10	58	10	15	6000	110	0.1	8.0
SPCL6-066C	6-066C	72	80	10	66	10	15	6000	120	0.1	6.0
SPCL6-076C	6-076C	85	95	10	76	10	15	6000	140	0.1	6.5
SPCL6-170C	6-170C	180	220	10	170	10	15	6000	260	0.1	2.8
SPCL6-190C	6-190C	200	245	10	190	10	15	6000	290	0.1	2.5
SPCL6-240C	6-240C	250	285	10	240	10	15	6000	340	0.1	2.0
SPCL6-380C	6-380C	401	443	10	380	10	15	6000	520	0.1	1.4
SPCL6-430C	6-430C	440	490	10	430	10	15	6000	625	0.1	1.0

Note:

1. Using 8 / 20 μs wave shape as defined in IEC 61000 -4-5.

Maximum Ratings and Characteristics

($T_A = 25\text{ }^\circ\text{C}$ unless otherwise specified.)

Parameter	Symbol	Value	Unit
Operating Storage Temperature Range	T_{STG}	-55 to 150	$^\circ\text{C}$
Operating Junction Temperature Range	T_J	-55 to 125	$^\circ\text{C}$
Current Rating (Note 1)	I_{PP}	6	kA

Ratings and Characteristic Curves ($T_A=25\text{ }^\circ\text{C}$ unless otherwise noted)

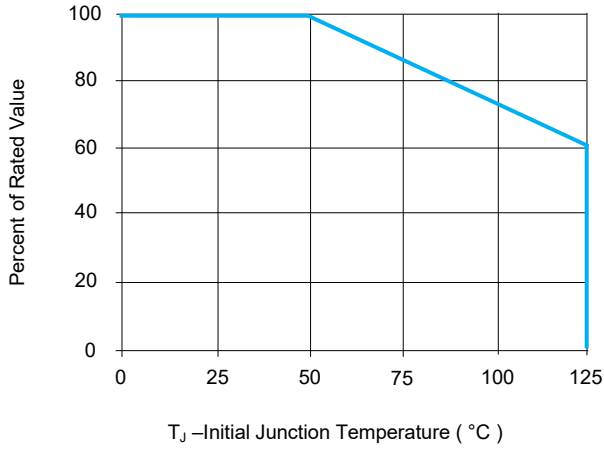


FIGURE 1 Peak Pulse Power Derating Curve

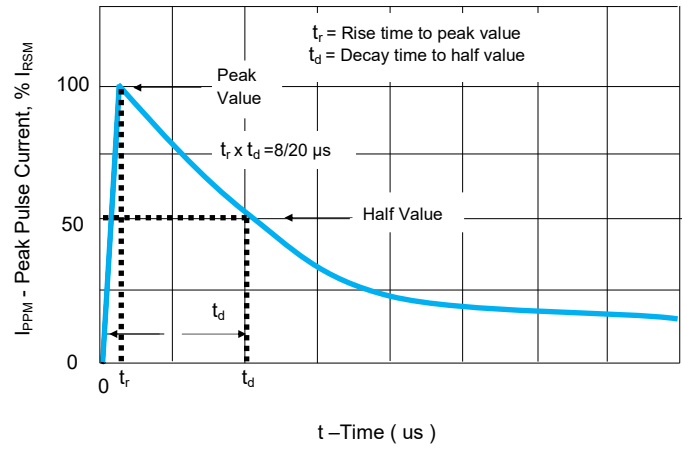


FIGURE 2 Pulse Waveform

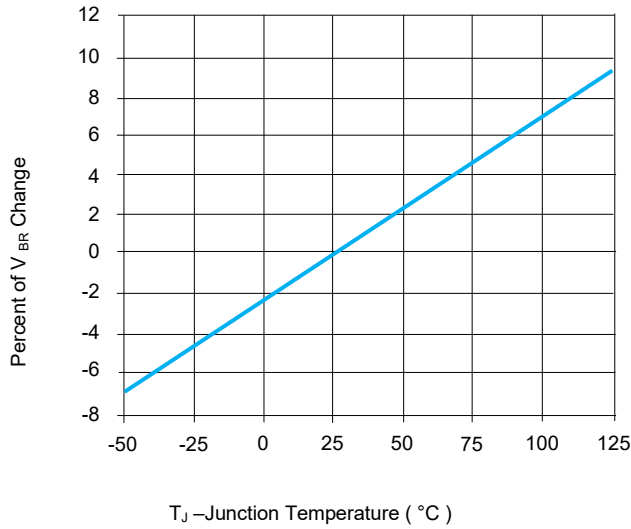


FIGURE 3 Typical V_{BR} Vs Junction Temperature

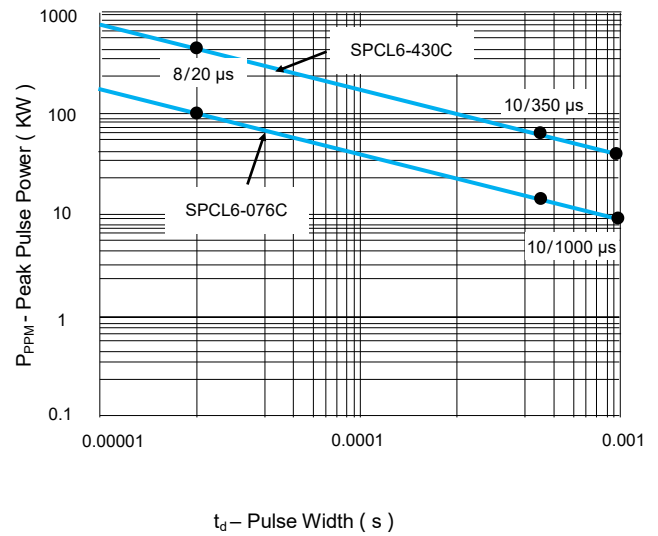


FIGURE 4 Peak Pulse Power Rating Curve

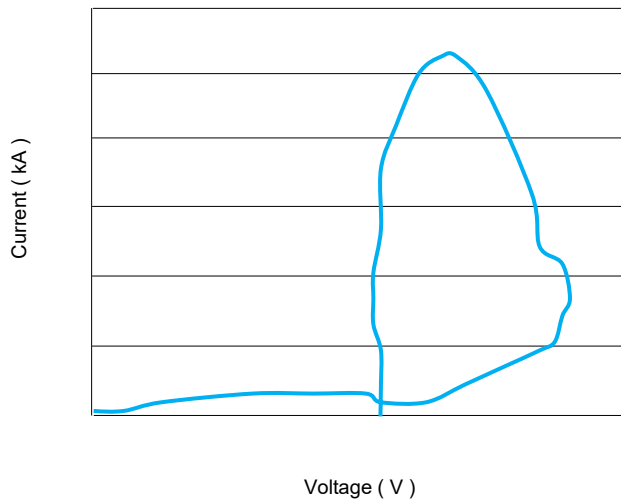
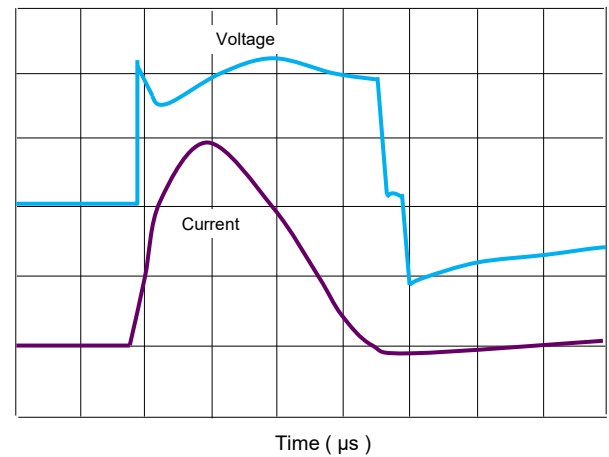


FIGURE 5 Surge Response



Note: The power dissipation causes a change in avalanche voltage during the surge and the avalanche voltage eventually returns to the original value when the transient has passed.
FIGURE 6 Surge Response (8/20 Surge current waveform)

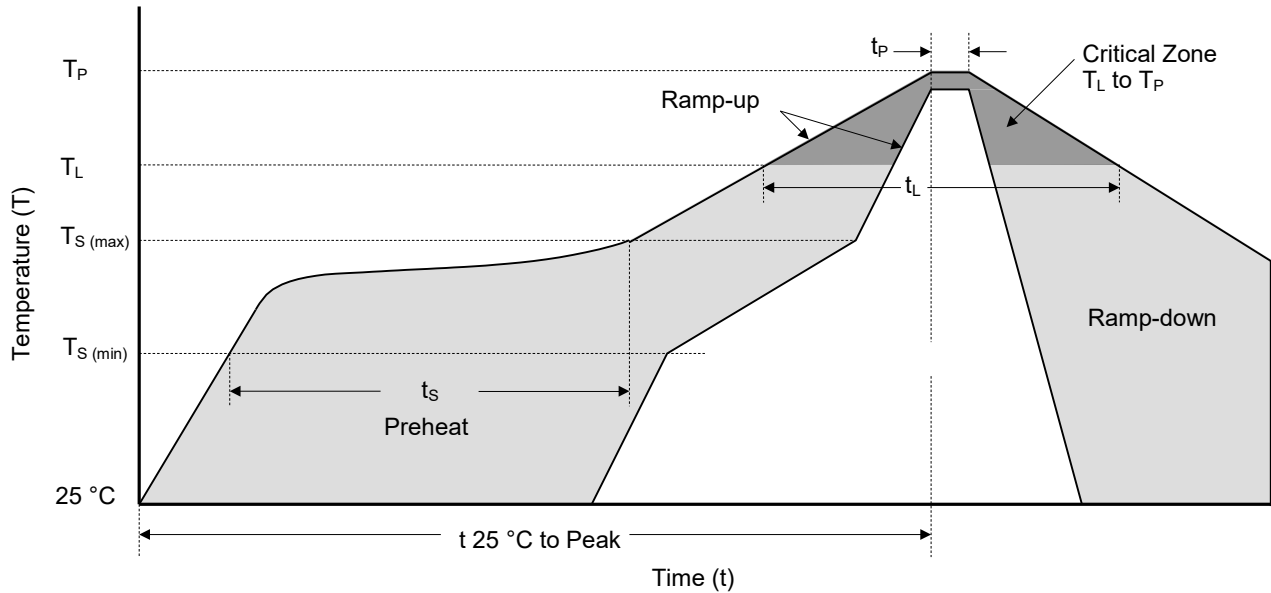
Flow/Wave Soldering (Solder Dipping)

Peak Temperature	260 °C +0 / -5 °C
Dipping Time	10 seconds
Soldering Number	1 time

Physical Specifications

Weight	Contact manufacturer
Case	Epoxy encapsulated
Terminal	Silver plated leads, solderable per MIL-STD-750 Method 2026

Soldering Parameters



Reflowing Condition

Reflow Soldering Parameters		Lead-Free Assembly
Pre-heat	Temperature Min ($T_{S(min)}$)	150 °C
	Temperature Max ($T_{S(max)}$)	200 °C
	Time (min to max) (t_s)	60 ~ 120 seconds
Average Ramp Up Rate (Liquidus Temp (T_L) to Peak)		3 °C / second max.
$T_{S(max)}$ to T_L Ramp-up Rate		3 °C / second max.
Reflow	Temperature (T_L) (Liquidus)	217 °C
	Time (min to max) (t_L)	60 ~ 150 seconds
Peak Temperature (T_P)		260 ^{+0/-5} °C
Time of within 5 °C of Actual Peak Temperature (t_p)		20 ~ 40 seconds
Ramp-down Rate		6 °C / second max.
Time from 25 °C to Peak Temperature		8 Minutes max.
Do Not Exceed		260 °C

Packaging Information

Part Number	Package	Quantity	Packaging Option
SPCL6-XXXX	SPCL Package	56 PCS / Inner Box	Bulk
SPCL6-XXXX-12	SPCL Package	12 PCS / Inner Box	Bulk



ATTENTION

Usage

1. TVS must be operated in the specified ambient temp.
2. Do not clean the TVS with strong polar solvent such as ketone, esters, benzene and halogenated hydrocarbon, to avoid damaging the encapsulating layer.
3. Please do not apply severe vibration, shock or pressure to TVS, to avoid element cracking.

Replacement

1. If TVS is visually damaged, please replace it.
2. TVS is a non-repairable product. For safety sake, please use equivalent TVS for replacement.

Storage

1. Storage Temp. Range: (-55 to 150) °C.
2. Do not store the TVS at the high temp., high humidity or corrosive gas environment, to avoid influencing the solder-ability of the lead wires. The product shall be used up within 1 year after receiving the goods.

Environmental Conditions

1. TVS should not be exposed to the open air, nor direct sunshine.
2. TVS should avoid rain, water vapor or other condition of high temp. and high humidity.
3. TVS should avoid sand dust, salt mist, or other harmful gases.

Max. Typical Capacitance of TVS

The typical capacitance of TVS is listed in the specifications. Designers may refer to it when designing TVS in High frequency circuit.

Installation Mechanical Stress

1. Do not knock TVS when installing, to avoid mechanical damage.
2. Please do not apply severe vibration, shock or pressure to TVS, to avoid surface resin or element cracking.